



PROVEN PERFORMER

On-Premises Softmount Washer-Extractors SY65, SY80, SY105, SY135

Features

- Freestanding, high spin (up to 1165 RPM – SY65, SY80)
- Stainless steel top front panel, side panels
- Stainless steel drum and tub
- QED Select – fully programmable
- Patented soap hopper
- Large drain valve (Ø76 mm)
- Easy access to all vital parts from the front
- Large door opening for easy loading and unloading
- Perforated lifting ribs: more mechanical action and lower water consumption
- Eco washing programs – significantly reduces water and electricity consumption

Options

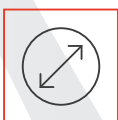
- Coin operated
- USB plug and Network cable connection (on the back panel)
- Liquid soap connection
- Liquid soap pumps
- Water recovery kit
- Steam heating version
- Drain pump (SY65, SY80)
- 3rd water inlet
- QED Assist - Laundry management software



EASY OPERATION



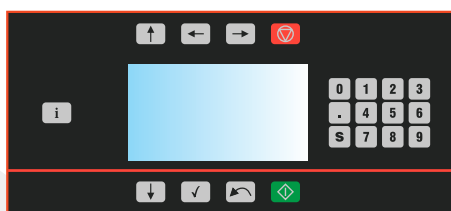
ERGONOMICAL CONSTRUCTION



LARGE DOOR OPENING



LOW WATER CONSUMPTION



Control panel (QED Select)



SY65

	SY65	SY80	SY105	SY135
Innerdrum				
Capacity 10:1 kg	6.5	8	11	14
Capacity 9:1 kg	7	9	12	15
Volume litres	65	75	105	135
Diameter mm	530	530	620	620
Motor				
Frequency controlled	Yes	Yes	Yes	Yes
Drum speed				
Wash r/pm	49	49	49	49
Extraction r/pm	1165	1165	1075	1075
G-factor	400	400	400	400
Programmer				
Type of control	QED Select	QED Select	QED Select	QED Select
Cabinet				
Stainless steel	Yes	Yes	Yes	Yes
Heating				
Electrical or Electrical additional kW	6	6	9	12
Steam bar	15 - 116	15 - 116	15 - 116	15 - 116
Steam bar	90	90	90	90
Steam bar	59	63	66	65
Steam bar	¾"	¾"	¾"	¾"
Steam bar	100 - 800	100 - 800	100 - 800	100 - 800
Steam bar	300 - 500	300 - 500	300 - 500	300 - 500
Connection				
Water inlet mm	19	19	19	19
Steam inlet mm	13	13	13	13
Compressed air inlet mm	n/a	n/a	n/a	n/a
Drain valve outer mm	76	76	76	76
Flow amount with drain valve l/min	210	210	210	210
Steam valve connection BSP	½"	½"	½"	½"
Steam pressure k-Pa	100 - 800	100 - 800	100 - 800	100 - 800
Power				
Electrical requirements (without heating element) V Hz	1x 220-240V 50-60Hz	1x 220-240V 50-60Hz	1x 220-240V 50-60Hz	1x 220-240V 50-60Hz
Full load amps (without heating element) A	6.6	6.7	9.8	10.1
Breaker (without heating element) A	10	10	16	16
Electrical requirements (with heating element) V Hz	3x 380-415V +N 50-60Hz	3x 380-415V +N 50-60Hz	3x 380-415V +N 50-60Hz	3x 380-415V +N 50-60Hz
Full load amps (with heating element) A	13.5	13.7	18.5	22.6
Breaker (with heating element) A	16	16	20	15
Heating element kW	6	6	9	12
Transport data				
Gross weight kg	180	200	235	275
Net weight kg	170	185	210	255
Dimensions HxWxD mm	1115x710x740	1115x710x790	1225x795x795	1225x795x945
Packaging dimension HxWxD mm	1245x750x840	1245x750x840	1345x835x840	1345x835x985
Volume m ³	0.8	0.8	0.9	1.1

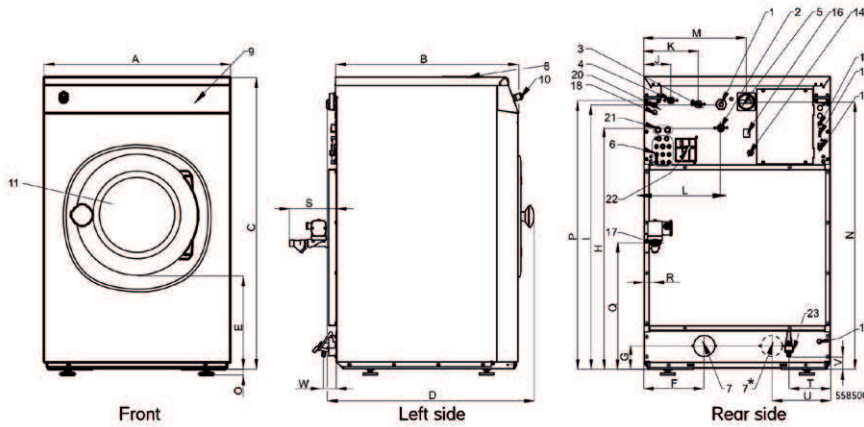


Dimensions

	A	B	C	D	E	F	G	H	I	J	K	L	M	N	O	P	Q	R	S
SY65	710	646	1115	740	349	230	82	914	1004	113	218	293	390	1020	24	1019	480	42	180
SY80	710	696	1115	790	349	230	88	920	1010	113	218	293	390	1020	24	1025	480	42	180
SY105	795	696	1225	795	342	230	88	1030	1120	113	218	293	475	1130	24	1135	506	42	180
SY135	795	846	1225	945	342	230	88	1030	1120	113	218	293	475	1130	24	1135	506	42	180

	T	U	V	W
SY65	203	-	67	48
SY80	203	-	67	48
SY105	203	274	67	48
SY135	203	274	67	48

All measurements are in mm.



- 1 Electrical connection
- 2 Hot water
- 3 Cold water hard
- 4 Cold water soft
- 5 Main switch
- 6 Connection liquid soap
- 7 Drain: drain valve (pump), 1 × ϕ 76 mm
SY280 - drain valve or recycle valve, 1 × ϕ 76 mm (on request)
- 8 Soap dispenser
- 9 Control panel
- 10 Button CENTRALSTOP
- 11 Door opening:
SY65 and SY80 - ϕ 330
SY105 and SY135 - ϕ 410
- 12 Fuses
- 13 USB port
- 14 Electrical connection to liquid soap pumps
- 15 PC programming connection (RS485)
- 16 Heating change-over switch (electrical heating, steam heating)
- 17 Steam connection (steam version) ½"
- 18 Steam valve connection (steam version)
- 19 Inlet of cable for discharge of water into the water recycle
- 20 Cable inlet - cable for control of the valve or pump of water from the water recycle
- 21 Inlet of water from the recycle (external diameter 19)
- 22 Air relieve
- 23 Drain valve ½", applicable for wash bath sample (on request)

