



# PROVEN PERFORMER

## On-Premises Softmount Washer-Extractors SY335, SY400, SY520

### Features

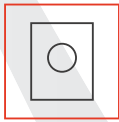
- Freestanding, high spin
- Stainless steel cabinet
- Stainless steel drum and tub
- QED Select – fully programmable microprocessor
- Large door opening (Ø 54 cm) for easy loading and unloading
- Large drain valves (2 x Ø 76 mm)
- Easy access to all parts
- Frequency controlled motor
- Soap dispenser with 5 removable compartments
- Perforated lifting ribs: more mechanical action and lower water consumption
- Eco washing programs – significantly reduces water and electricity consumption



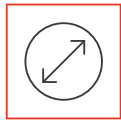
EASY  
OPERATION



ERGONOMICAL  
CONSTRUCTION



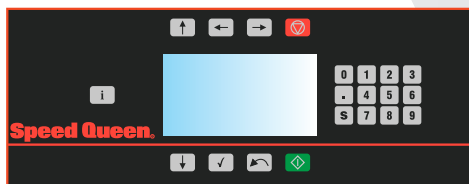
ROBUST  
DESIGN



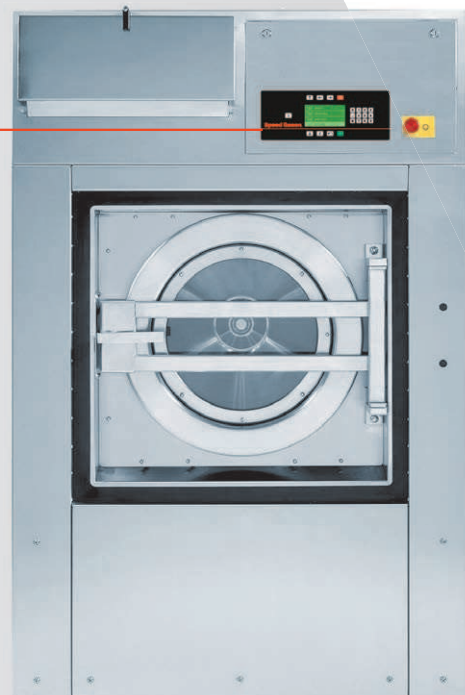
LARGE DOOR  
OPENING

### Options

- Liquid soap pumps
- QED Assist - Laundry management software
- Liquid soap connection
- Light and sound signalisation of end of cycle
- Forward tilting device (pneumatic) for SY400 and SY520
- Automatic weighing system by weighing cells for measuring exact capacity of the linen
- Air operated water inlets
- Tap to take water samples
- USB plug (on the back panel)
- Network cable connection



Control panel (QED Select)



SY335

	SY335	SY400	SY520
<b>Innerdrum</b>			
Capacity 10:1 kg	33	40	52
Capacity 9:1 kg	37.2	44.4	57.7
Volume litres	335	400	520
Diameter mm	914	914	914
<b>Motor</b>			
Frequency controlled	Yes	Yes	Yes
<b>Drum speed</b>			
Wash speed rpm	38	38	38
Extraction rpm	830	830	830
G-factor	350	350	350
<b>Programmer</b>			
Type of control	QED Select	QED Select	QED Select
<b>Cabinet</b>			
Stainless steel	Yes	Yes	Yes
<b>Heating</b>			
Electrical or Electrical additional kW	24	36	54
Steam bar	44 - 116	44 - 116	44 - 116
Steam bar	90	90	90
Steam bar	75	75	77
Steam bar	1"	1"	1"
Steam bar	100 - 800	100 - 800	100 - 800
Steam bar	300 - 500	300 - 500	300 - 500
<b>Connection</b>			
Water inlet mm	25	25	25
Steam inlet mm	19	19	19
Compressed air inlet mm	6.35	6.35	6.35
Drain valve outer mm	2×76	2×76	2×76
Flow amount with drain valve l/min	300	300	300
Steam valve connection BSP	¾"	¾"	¾"
Steam pressure k-Pa	300 - 800	300 - 800	300 - 800
<b>Power</b>			
Electrical requirements (without heating element) V Hz	3×200-240V 50-60Hz	3×200-240V 50-60Hz	3×200-240V 50-60Hz
Full load amps (without heating element) A	16.5	20	22.5
Breaker (without heating element) A	32	40	40
Electrical requirements (with heating element) V Hz	3×380-415V 50-60Hz	3×380-415V 50-60Hz	3×380-415V 50-60Hz
Full load amps (with heating element) A	40	62.5	87
Breaker (with heating element) A	50	80	100
Heating element kW	24	36	54
<b>Transport data</b>			
Gross weight kg	1310	1700	1770
Net weight kg	1190	1560	1630
Dimensions H×W×D mm	1905×1195×1330	1905×1195×1430	1905×1195×1610
Packaging dimension H×W×D mm	2105×1430×1475	2105×1430×1570	2105×1430×1750
Volume m <sup>3</sup>	4.4	4.7	5.3



## Dimensions

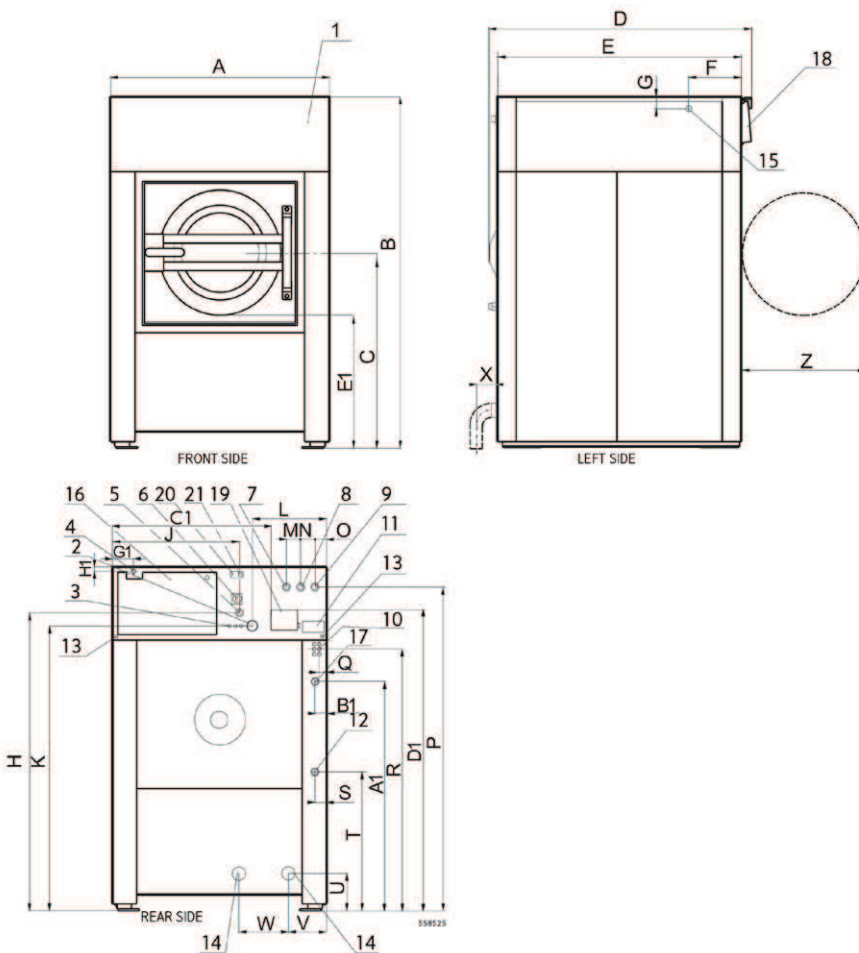
	A	A1 (1,2)	B (2)	B1 (1)	C (2)	C1	D	D1 (2)	E	E1	F	G	G1	H(2)	H1	J	K(2)	L	M
<b>SY335</b>	1195	1361	1905	116	1055	980	1330	1600	1222	730	300	50	110	1617	25	730	1567	422	80
<b>SY400</b>	1195	1361	1905	116	1055	980	1430	1600	1322	730	300	50	110	1617	25	730	1567	422	80
<b>SY520</b>	1195	1361	1905	116	1055	980	1610	1600	1502	730	300	50	110	1617	25	730	1567	422	80

	N	O	P(2)	P (1,2)	Q	R	S	T(2)	U(2)	V	W	X	Z
<b>SY335</b>	80	70	1782	1672	60	1285	65	768	205	213	420	175	700
<b>SY400</b>	80	70	1782	1672	60	1285	65	768	205	213	275	175	700
<b>SY520</b>	80	70	1782	1672	60	1285	65	768	205	213	275	175	700

All measurements are in mm.

(1) Washers with air operated water valves.

(2) The dimensions of the machine with weighing system (on request) are higher. The height difference is in the range of 56-64 mm, based on the adjustment of the load sensor.



- 1 Operator panel
- 2 Tub ventilation:  $\phi 60$  mm
- 3 Lubrication points
- 4 Entry soap supply cable
- 5 Entry main power cable
- 6 Main switch
- 7 Hard cold water inlet
- 8 Hot water inlet
- 9 Soft cold water inlet
- 10 Hose connection soap supply
- 11 Serial plate
- 12 Steam inlet
- 13 Equipotential bounding terminal
- 14 Drain outlet
- 15 Soap dispenser air relieve
- 16 Frequency inverter cover
- 17 Compressed air inlet
- 18 Soap dispenser
- 19 Electrical signals liquid soap
- 20 USB port (on request)
- 21 PC programming connection RS485 (on request)

