



# PROVEN PERFORMER

## On-Premises Softmount Washer-Extractors SY180, SY240, SY280

### Features

- Freestanding, high spin
- Stainless steel top front panel, side panels
- Stainless steel drum and tub
- QED Select – fully programmable
- Patented soap hopper
- High capacity water inlets (SY280)
- Large drain valve (Ø 76 mm)
- Easy access to all vital parts from the front
- Large door opening for easy loading and unloading
- Perforated lifting ribs: more mechanical action and lower water consumption
- Eco washing programs – significantly reduces water and electricity consumption

### Options

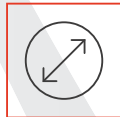
- Coin operated
- USB plug and Network cable connection (on the back panel)
- Liquid soap connection
- Liquid soap pumps
- Water recovery kit
- Steam heating version
- 3rd water inlet
- High capacity water inlets (SY180, SY240)
- Automatic weighing system by weighing cells to measure exact capacity of the linen
- Second drain valve for faster draining (SY280)
- QED Assist - Laundry management software



EASY OPERATION



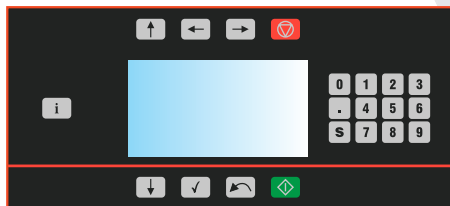
ERGONOMICAL CONSTRUCTION



LARGE DOOR OPENING



LOW WATER CONSUMPTION



Control panel (QED Select)



SY180

	SY180	SY240	SY280
<b>Innerdrum</b>			
Capacity 10:1 kg	18	24	28
Capacity 9:1 kg	20	27	32
Volume litres	180	240	280
Diameter mm	750	750	750
<b>Motor</b>			
Frequency controlled	Yes	Yes	Yes
<b>Drum speed</b>			
Wash rpm	42	42	42
Extraction rpm	980	980	915
G-factor	400	400	350
<b>Programmer</b>			
Type of control	QED Select	QED Select	QED Select
<b>Cabinet</b>			
Stainless steel	Yes	Yes	Yes
<b>Heating</b>			
Electrical or Electrical additional kW	12	18	22
Steam bar	15 - 116	15 - 116	15 - 116
Steam bar	90	90	90
Steam bar	68	66	70
Steam bar	¾"	¾"	¾"
Steam bar	100 - 800	100 - 800	100 - 800
Steam bar	300 - 500	300 - 500	300 - 500
<b>Connection</b>			
Water inlet mm	19	19	19
Steam inlet mm	13	13	13
Compressed air inlet mm	n/a	n/a	n/a
Drain valve outer mm	76	76	76
Flow amount with drain valve l/min	210	210	210
Steam valve connection BSP	½"	½"	½"
Steam pressure k-Pa	100 - 800	100 - 800	100 - 800
<b>Power</b>			
Electrical requirements (without heating element) V Hz	1×220-240V 50-60Hz	1×220-240V 50-60Hz	1×220-240V 50-60Hz
Full load amps (without heating element) A	14.2	15	16
Breaker (without heating element) A	20	20	20
Electrical requirements (with heating element) V Hz	3×380-415V +N 50-60Hz	3×380-415V +N 50-60Hz	3×380-415V +N 50-60Hz
Full load amps (with heating element) A	23.1	31.9	40.5
Breaker (with heating element) A	25	32	50
Heating element kW	12	18	21-Sep
<b>Transport data</b>			
Gross weight kg	395	450	515
Net weight kg	380	430	495
Dimensions H×W×D mm	1410×970×970	1410×970×1105	1410×970×1185
Packaging dimension H×W×D mm	1550×1025×1015	1550×1025×1150	1550×1025×1225
Volume m <sup>3</sup>	1.6	1.8	2.0

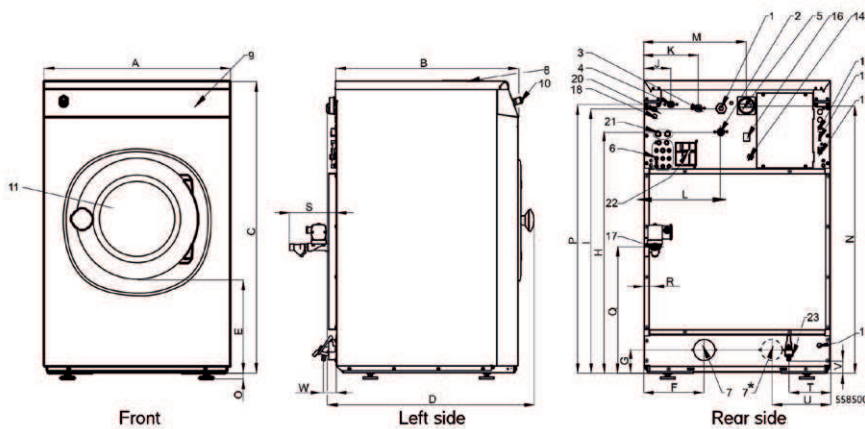


## Dimensions

	A	B	C	D	E	F	G	H	I	J	K	L	M	N	O	P	Q	R	S
<b>SY180</b>	970	876	1410	970	477	270	108.5	1215	1297.5	113	218	293	610	1315	24	1320	490	80	90
<b>SY240</b>	970	1011	1410	1105	477	270	108.5	1215	1297.5	113	218	293	610	1315	24	1320	490	80	90
<b>SY280</b>	970	1086	1410	1185	477	270	108.5	1215	1305	113	218	293	610	1315	24	1320	490	80	90

	T	U	V	W
<b>SY180</b>	203	-	67	48
<b>SY240</b>	203	-	67	48
<b>SY280</b>	203	274	67	48

All measurements are in mm.



- 1 Electrical connection
- 2 Hot water
- 3 Cold water hard
- 4 Cold water soft
- 5 Main switch
- 6 Connection liquid soap
- 7 Drain: drain valve (pump), 1 ×  $\varnothing$ 76 mm  
SY280 - drain valve or recycle valve, 1 ×  $\varnothing$ 76 mm (on request)
- 8 Soap dispenser
- 9 Control panel
- 10 Button CENTRALSTOP
- 11 Door opening:  $\varnothing$ 460 mm
- 12 Fuses
- 13 USB port
- 14 Electrical connection to liquid soap pumps
- 15 PC programming connection (RS485)
- 16 Heating change-over switch (electrical heating, steam heating)
- 17 Steam connection (steam version) 1/2"
- 18 Steam valve connection (steam version)
- 19 Inlet of cable for discharge of water into the water recycle
- 20 Cable inlet - cable for control of the valve or pump of water from the water recycle
- 21 Inlet of water from the recycle (external diameter 19)
- 22 Air relieve
- 23 Drain valve 1/2", applicable for wash bath sample (on request)

