



PROVEN PERFORMER

On-Premises Barrier Washer-Extractors SB700, SB900, SB1100, SB1400, SB1800

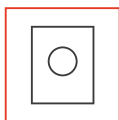
Features

- Freestanding, high spin
- Stainless steel cabinet
- Stainless steel drum and tub
- MICRO – new graphic display with almost unlimited possibilities as:
 - communication interface enabling remote service
 - multilingual microprocessor
 - freely programmable
- Oversized frame, bearings and drum
- Large door opening for easy loading and unloading
- Large drain valve (Ø126mm)
- Easy access to all parts
- Frequency controlled motor
- Perforated lifting ribs: more mechanical action and lower water consumption
- Standard Y-pocket (3 pockets) drum on SB1100, SB1400, SB1800
- Standard Pullman (2 pockets) drum on SB700, SB900

- Eco-friendly washing programs – significantly reduces water and electricity consumption
- Soap dispenser with 5 removable compartments (10 compartments on SB1800)
- Automatic door positioning
- Air operated water inlets
- Air suspension

Options

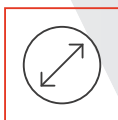
- Liquid soap pumps
- Drum with 2 pockets on SB1100, with 3 pockets on SB700, SB900
- Tap to take water samples
- Light and sound signalisation of end of washer cycle
- Second display
- Horizontal door (available only for SB1800)
- Second drain valve or recycle valve
- Version with only front door for loading and unloading



ROBUST DESIGN



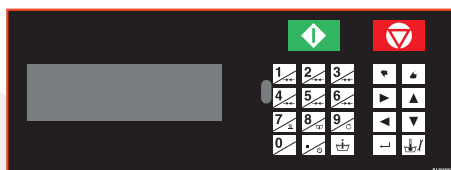
LARGE DRAIN VALVE



LARGE DOOR OPENING



HYGIENIC SOLUTION



Control panel



SB700

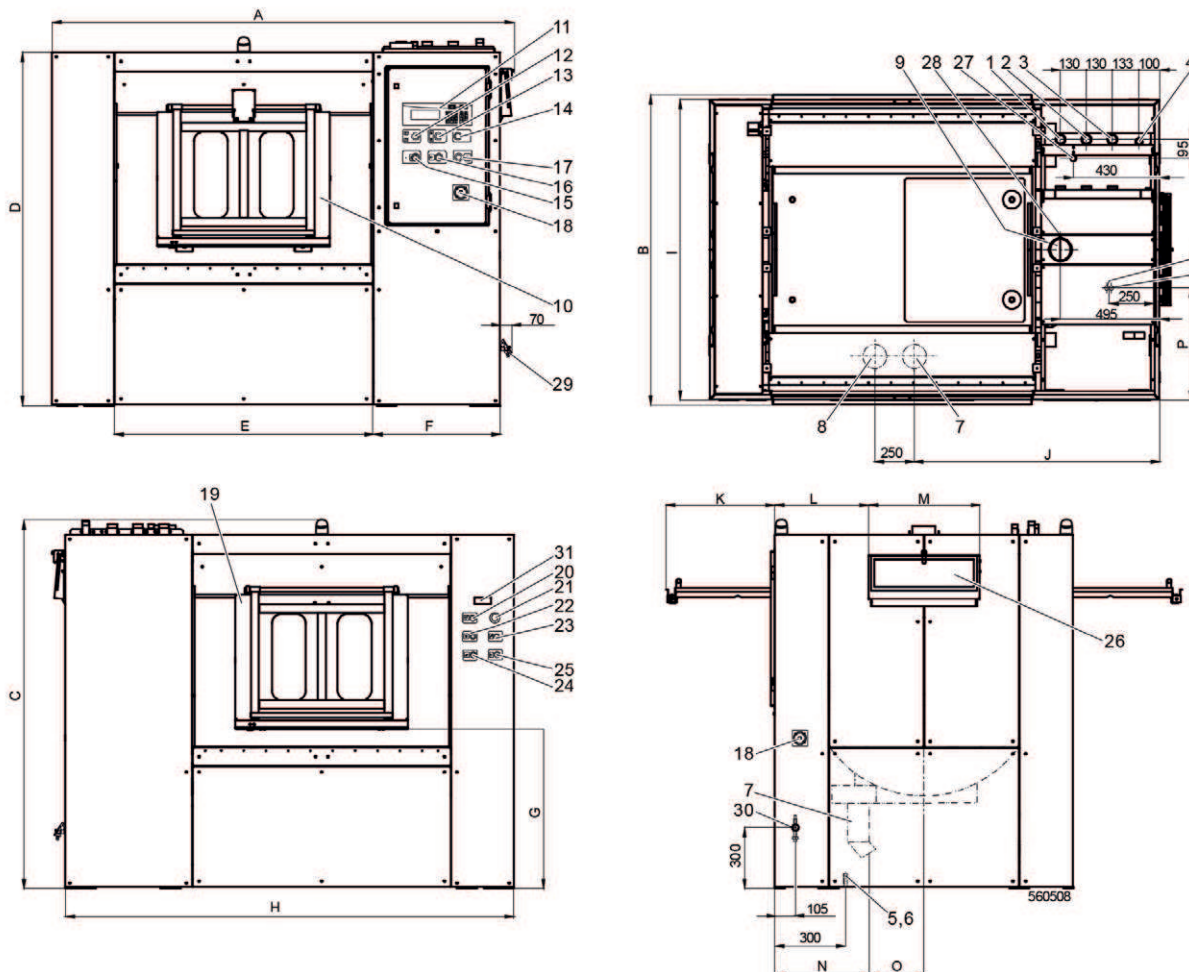
	SB700	SB900	SB1100	SB1400	SB1800
Innerdrum					
Capacity 10:0 kg	70	90	110	140	180
Capacity 9:1 kg	78	100	122	156	200
Volume litres	700	900	1100	1400	1800
Diameter mm	1000	1000	1100	1200	1300
Pockets standard or optional	2 st. / 3 opt.	2 st. / 3 opt.	3 st. / 2 opt.	3 st. / 2 on request	3
Number of drums	1	1	1	1	1
Number of loading doors	1	1	1	1	1
Number of unloading doors	1	1	1	1	1
Motor					
Frequency controlled	Yes	Yes	Yes	Yes	Yes
Drum speed					
Washing speed rpm	36	36	35	33	36
Highest spin speed rpm	800	800	754	720	695
G-factor	360	360	350	350	350
Programmer					
Type of control	Microprocessor	Microprocessor	Microprocessor	Microprocessor	Microprocessor
Cabinet					
Stainless steel	Yes	Yes	Yes	Yes	Yes
Heating					
Electrical or Electrical additional kW	54	54	72	72	n/a
Steam bar	6 - 8	6 - 8	6 - 8	6 - 8	6 - 8
Connection					
Water inlet mm	3×38 + 1×19	3×38 + 1×19	3×38 + 1×19	3×38 + 1×19	3×38 + 1×25
Steam inlet mm	25	25	25	25	25
Drain mm	126	126	126	126	126
Compressed air inlet mm	10	10	10	10	10
Steam valve connection BSP	1"	1"	1"	1"	1"
Steam pressure k-Pa	600 - 800	600 - 800	600 - 800	600 - 800	600 - 800
Power					
Electrical requirements (without heating element) V Hz	3×380-415V 50/60Hz	3×380-415V 50/60Hz	3×380-415V 50/60Hz	3×380-415V 50/60Hz	3×380-415V 50/60Hz
Full load amps (without heating element) A	26	27	35	42	49
Breaker (without heating element) A	32	32	50	50	75
Electrical requirements (with heating element) V Hz	3×380-415V 50/60Hz	3×380-415V 50/60Hz	3×380-415V 50/60Hz	3×380-415V 50/60Hz	n/a
Full load amps (with heating element) A	93	94	120	126	n/a
Breaker (with heating element) A	100	100	160	160	n/a
Heating element kW	54	54	72	72	n/a
Transport data					
Gross weight kg	2760	2970	3150	3760	5310
Net weight kg	2600	2810	2990	3550	4990
Dimensions H×W×D mm	1830×2025×1605	1830×2275×1605	1880×2325×1605	2100×2425×1805	2195×2585×1905
Packaging dimension H×W×D mm	1985×2100×1740	1985×2355×1740	2080×2400×1740	2250×2485×1940	2265×2665×2040
Volume m ³	7.3	8.1	8.7	10.8	12.3



Dimensions

	A	B	C	D	E	F	G	H	I	J	K	L	M	N	O	P
SB700	2025	1605	1830	1725	1000	636	750	1950	1500	1040	550	470	560	400	350	500
SB900	2275	1605	1830	1725	1250	636	750	2200	1500	1160	550	470	560	400	350	500
SB1100	2325	1605	1880	1775	1300	636	800	2250	1500	1190	550	470	560	400	350	500
SB1400	2425	1805	2100	1995	1382	636	900	2350	1700	1200	620	570	560	400	500	600
SB1800	2585	1905	2195	2090	1498	636	900	2510	1800	1255	650	408	1175	400	500	600

All measurements are in mm



- | | | |
|---------------------------------|---|--|
| 1 Hard cold water inlet | 13 Signal of machine running (+ operating air pressure) | 24 Button of door unlocking |
| 2 Soft cold water inlet | 14 Central stop | 25 Button of drum positioning |
| 3 Hot water inlet | 15 Button of door unlocking | 26 Soap hoppers |
| 4 Steam inlet | 16 Button of drum positioning | 27 Soft cold water inlet into soap hoppers |
| 5 Supply of pressure air | 17 Button of door locking | 28 Liquid detergent inlet |
| 6 Power supply | 18 Main switch | 29 Drain valve, applicable for wash bath sample |
| 7 Main drainage valve | 19 Door of unloading (clean size) | 30 Drain connection 1×½" - applicable for wash bath sample |
| 8 Recycling drainage valve | 20 Signal of loading | 31 Second display (on request) |
| 9 Venting of the machine | 21 Central stop | |
| 10 Door of loading (dirty side) | 22 Button of door locking | |
| 11 Programmer | 23 Button of activation of loading side | |
| 12 Change-over switch | | |

