



PROVEN PERFORMER

On-Premises Barrier Washer-Extractors SB265, SB332, SB442, SB663

Features

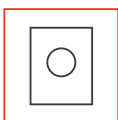
- Stainless steel body
- Freestanding, high spin
- Oversized frame, bearings and drum
- Large drain valve (2 x Ø76 mm)
- Easy access to all parts
- Frequency controlled motor
- Large door opening for easy loading and unloading.
- MICRO – new graphic display with almost unlimited possibilities as:
 - Communication interface enabling remote service
 - Multilingual microprocessor
 - Freely programmable
- Perforated lifting ribs: better washing results, lower water consumption
- Eco-friendly washing programs – significantly reduces water and electricity consumption
- Patented soap dispenser with 5 removable compartments

Options

- Liquid soap pumps
- Automatic weighing system by weighing cells for measuring exact capacity of the linen
- Second display
- Light and horn signalisation of end of wash cycle
- Tap to take water samples
- Air operated water inlets
- Version with only front door for loading and unloading



EASY OPERATION



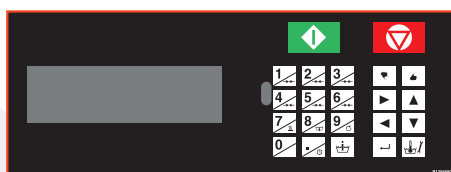
ROBUST DESIGN



LARGE DOOR OPENING



HYGIENIC SOLUTION



Control panel



SB265

	SB265	SB332	SB442	SB663
Innerdrum				
Capacity 10:0 kg	26	33	44	66
Capacity 9:1 kg	29	37	49	74
Volume litres	265	332	442	663
Diameter mm	650	650	750	750
Pockets standard or optional	1	1	1	1
Number of drums	1	1	1	2
Number of loading doors	1	1	1	2
Number of unloading doors	1	1	1	2
Motor				
Frequency controlled	Yes	Yes	Yes	Yes
Drum speed				
Washing speed rpm	45	45	41	41
Highest spin speed rpm	960	960	915	915
G-factor	335	335	350	350
Programmer				
Type of control	Microprocessor	Microprocessor	Microprocessor	Microprocessor
Cabinet				
Stainless steel	Yes	Yes	Yes	Yes
Heating				
Electrical or Electrical additional kW	24	36	45	54
Steam bar	3 - 8	3 - 8	3 - 8	3 - 8
Connection				
Water inlet mm	3×25	3×25	3×25	3×25
Steam inlet mm	19	19	19	19
Drain mm	2×76	2×76	2×76	2×76
Compressed air inlet mm	6.45	6.45	6.45	6.45
Steam valve connection BSP	¾"	¾"	¾"	¾"
Steam pressure k-Pa	300 - 800	300 - 800	300 - 800	300 - 800
Power				
Electrical requirements (without heating element) V Hz	3×380-415V 50/60Hz	3×380-415V 50/60Hz	3×380-415V 50/60Hz	3×380-415V 50/60Hz
Full load amps (without heating element) A	7.5	8	12	13
Breaker (without heating element) A	16	16	20	20
Electrical requirements (with heating element) V Hz	3×380-415V 50/60Hz	3×380-415V 50/60Hz	3×380-415V 50/60Hz	3×380-415V 50/60Hz
Full load amps (with heating element) A	38	59	73	89
Breaker (with heating element) A	50	70	100	120
Heating element kW	24	36	45	54
Transport data				
Gross weight kg	1070	1090	1280	1510
Net weight kg	960	1000	1140	1360
Dimensions H×W×D mm	1600×1410×1060	1600×1560×1060	1650×1610×1170	1650×2160×1170
Packaging dimension H×W×D mm	1840×1465×1175	1840×1610×1175	1840×1660×1380	1840×2200×1380
Volume m ³	3.2	3.5	4.2	5.6



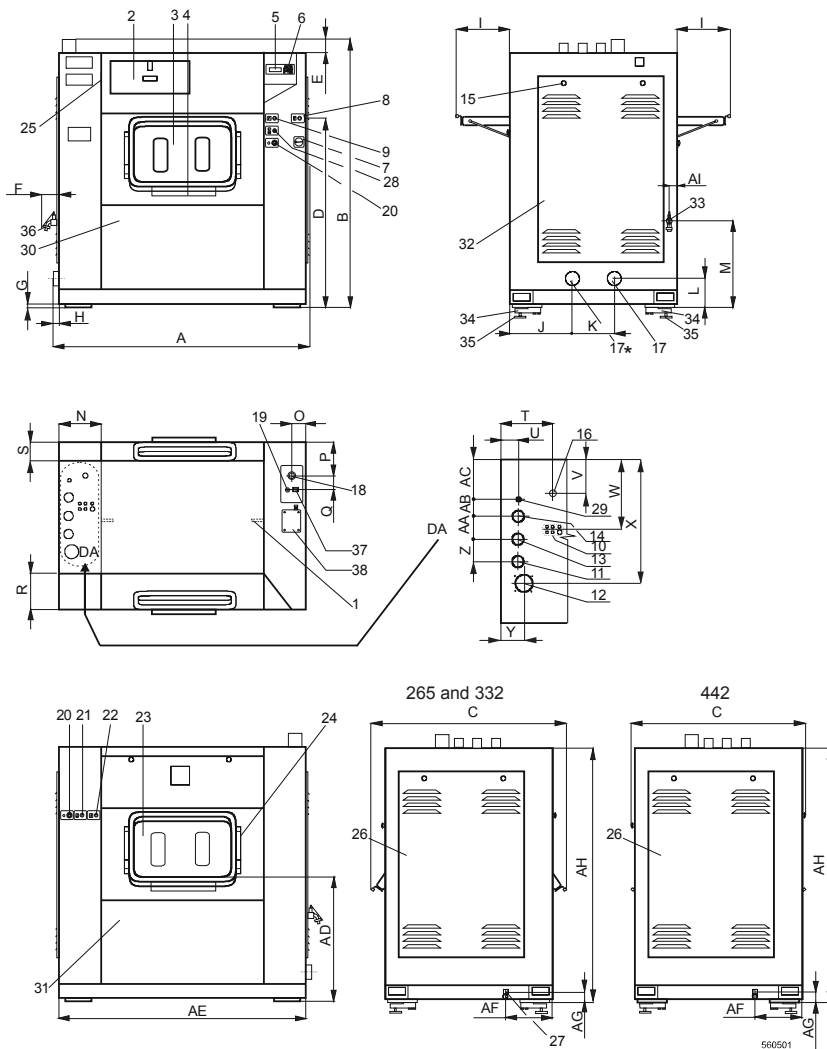
Dimensions

	A	A(1)	B	C	D	E	F	G	H	I	J	K	L	M	N	O	P	Q	R
SB265	1410	1430	1600	1060	1160	40	66	10	37	351	365	170	140	640	300	60	200	50	330
SB332	1560	1580	1600	1060	1160	40	66	10	37	351	365	170	140	640	300	60	200	50	330
SB442	1610	1630	1650	1170	1160	40	66	10	37	284	465	170	140	640	300	60	200	50	330

	S	T	U	V	W	X	Y	Z	AA	AB	AC	AD	AE	AF	AG	AH	AI
SB265	50	170	43	200	343	575	55	100	100	65	217	860	1350	320	45	1560	33
SB332	50	170	43	200	343	575	55	100	100	65	217	860	1500	320	45	1560	33
SB442	100	170	43	200	343	720	55	100	100	65	217	860	1550	320	45	1610	33

All measurements are in mm

SB265, SB332, SB442



- 1 Suspension eyes
- 2 Soapdispensers
- 3 Door of the load side (front, dirty side of the machine)
- 4 Door handle
- 5 Display
- 6 Keyboard
- 7 Main switch
- 8 Button of door lock unblocking
- 9 Button of drum positioning
- 10 Liquid detergent inlet: 5×ø11.5 mm; 1×ø14.5mm
- 11 Warm water inlet 1"
- 12 Drum ventilation
- 13 Hard cold water inlet 1"
- 14 Soft cold water inlet 1"
- 15 Service panel lock
- 16 Steam supply (version with steam heating) ¾"
- 17 Drain 2×3"
- 17* Connection to recycle tank is possible if the washing machine is equipped with a drain to the recycle tank
- 18 Power supply (version with electrical heating)
- 19 Power supply (the other versions)
- 20 Emergency stop button
- 21 Button of door lock unblocking
- 22 Button of drum positioning
- 23 Unload side door (rear, clean side of the washing machine)
- 24 Door brace
- 25 Serial plate
- 26 Right service panel
- 27 Earthing clamp
- 28 Change-over switch
- 29 Input of compressed air distribution into the machine (version with inlet valves with pneumatic control)
- 30 Lower cover (dirty side)
- 31 Lower cover (clean side)
- 32 Left service panel
- 33 Drain connection 1½" - applicable for wash bath sample
- 34 Single ended beam load cell, applicable for version with weighing system (on request)
- 35 Anchor pad, applicable for version with weighing system (on request)
- 36 Drain valve, applicable for version with weighing system (on request)
- 37 Heating switch (electrical heating, steam heating)
- 38 Plastic box for electrical connection to liquid soap pumps

