



PROVEN PERFORMER

On-Premises Heat Pump Tumble Dryers SHP190, SHP250, SHP285, SHP345

Features

- Heat pump
- Standard stainless steel drum with large diameter
- Easy-to-use microprocessor (Easy)
- Combination of radial and axial airflow concept:
 - Maximal heat transfer
 - Low energy consumption
 - Short drying time
- Large door opening for easy loading and unloading
- Self cleaning lint screen

Options

- Stainless steel front
- Reversing drum
- Full control programmer (Flex)
- Residual moisture control:
 - Safe drying of delicate linen
 - Humidity detection in %
 - Ideal in combination with wet cleaning
 - Ideal for dry cleaners, fire departments
 - Available on Easy and Flex Control
- Coin operated version
- Automatic rinsing system for heat exchangers
- Special plinth for easy service access



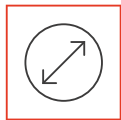
ENERGY EFFICIENT



STANDARD STAINLESS STEEL DRUM



HEAT PUMP



LARGE DOOR OPENING



Flex control panel



SHP250

	SHP190	SHP250	SHP285	SHP345
Drum				
Capacity 20:1	9.50	12.50	14.25	17.2
Capacity 25:1	7.62	9.80	11.44	13.60
Volume litres	190	250	285	345
Diameter mm	760	760	760	760
Drying average g/min	100.36	118.03	129.48	130.29
Motor				
Fan kW/h	0.3	0.3	0.3	0.3
Drive kW/h	0.18	0.25	0.25	0.25
Programmer				
Type of control	Easy / Flex Control	Easy / Flex Control	Easy / Flex Control	Easy / Flex Control
Cabinet				
Stainless steel/white	White	White	White	White
Drum	Stainless steel	Stainless steel	Stainless steel	Stainless steel
Dryer door Hinge	Zamak	Zamak	Zamak	Zamak
Heating				
Gas consumption (megajoules)	n/a	n/a	n/a	n/a
Steam models - 100 PSI -BTU/hr	n/a	n/a	n/a	n/a
Electric kWh	3.2 - 3.6	3.2 - 3.6	3.2 - 3.6	3.2 - 3.6
Connection				
Electrical V /Hz				
Air inlet mm	n/a	n/a	n/a	n/a
Air outlet mm	n/a	n/a	n/a	n/a
Steam inlet (BSP) mm	n/a	n/a	n/a	n/a
Steam Outlet (BSP) mm	n/a	n/a	n/a	n/a
Gas inlet mm	n/a	n/a	n/a	n/a
Gas outlet mm	n/a	n/a	n/a	n/a
Drain mm	40	40	40	40
Operation				
Drying cycles				
Radial drying system yes or no	Radial + Axial	Radial + Axial	Radial + Axial	Radial + Axial
Power				
Electrical requirements	3×380-415V +N 50Hz	3×380-415V +N 50-60Hz	3×380-415V +N 50-60Hz	3×380-415V +N 50-60Hz
With reversing (where available)	3×380-415V +N 50Hz	3×380-415V +N 50-60Hz	3×380-415V +N 50-60Hz	3×380-415V +N 50-60Hz
Breaker size A	16	16	16	16
Full load Amps A	11.3	11	11	11
Motor horsepower kW	0.24	0.34	0.34	0.34
Transport data				
Gross weight kg	305	385	400	400
Net weight kg	290	350	360	375
Dimensions H×W×D mm	1465×795×1275	1680×795×1525	1680×795×1615	1735×795×1735
Packaging dimension H×W×D mm	1570×880×1335	1785×855×1540	1785×855×1635	1785×855×1750
Volume m ³	1.8	2.4	2.5	2.7
Agency approvals				
Australian gas approval	n/a	n/a	n/a	n/a

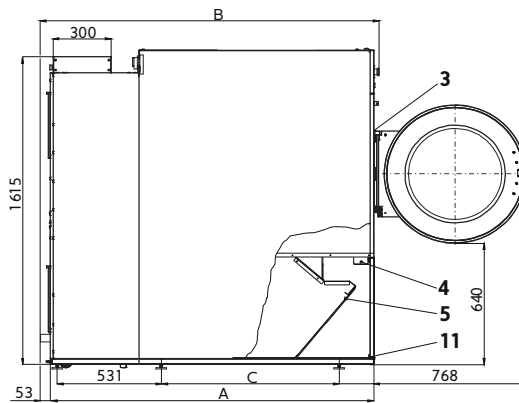
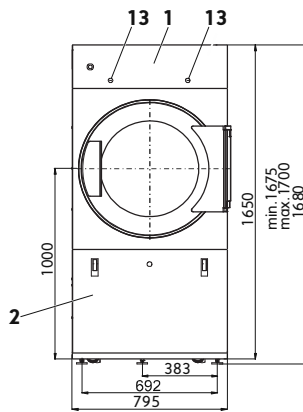


Dimensions

Dryer Capacity	A	B	C
SH250	1440	1525	762
SH285	1530	1615	852
SH345	1650	1735	972

All measurements in mm.

SHP250/SHP285/SHP345



- 1 Control panel
- 2 Lint screen cover
- 3 Door lock microswitch
- 4 Lint cover microswitch
- 5 Lint screen
- 6 Water inlet for rinsing system of the heat pump exchanger - on request
- 7 Main switch
- 8 Main power supply
- 9 Suction
- 10 Serial plate
- 11 Serial number of the machine
- 12 Condensate drain
- 13 Lock of the control panel:
 SHP250 11 kg, SHP285 13 kg,
 SHP345 16 kg with heat pump

