



PROVEN PERFORMER

On-Premises Cylinder Heated Ironer FCSFF 500

Features

- Large surface contact with linen over an angle of 300°
- Finger protection and emergency button for more safety
- Durable M-Aramid ironing belts
- Automatic cooldown
- Easy-to-operate microprocessor: 20 pre-set ironing programs
- Indication of ironing speed and temperature
- Reverse mode possible
- Variable setups for folding
- Built-in feeding and length folding system
- Frequency controlled motor
- Easy to remove lint filters
- Standard anti-static bar
- Folding system requires less maintenance (no ribbons and rolls)
- Electric, gas or steam heating

Options

- Preparation for Crossfolder and Stacker
- Crossfolder and stacker
- Chrome-plated cylinder for a better thermal conduction (only for lengths 2600 mm and 3200 mm)



ROBUST
DESIGN



ONE OPERATOR
ONLY



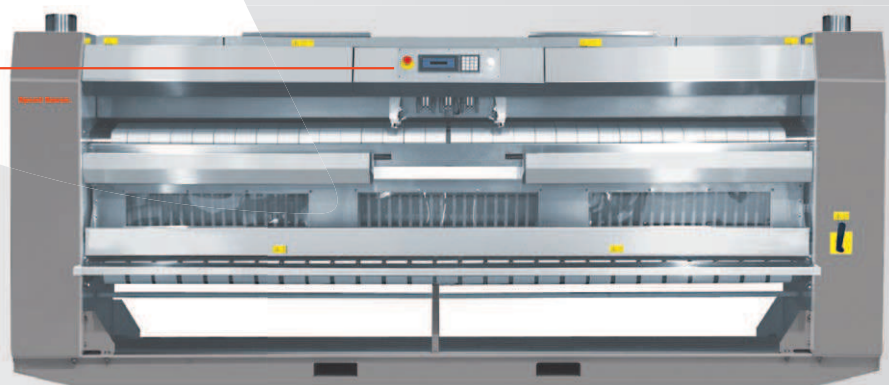
HIGH
OUTPUT



GLOBAL IRONING
SOLUTION



Control panel



FCSFF500

	FCSFF 2000/500	FCSFF 2600/500	FCSFF 3200/500
Roller			
Roller diameter mm	502	502	502
Useful roller length mm	2000	2600	3200
Roller speed m/min			
Ironing capacity*			
Electric & gas heating kg/h	80	95	120
Steam heating kg/h	95	115	145
Heating			
Electric kW	37.2	54.0 {380V} 70.2 {220V}	64.8
Gas kW	36	52	66
Steam kg/h	49	68	88
Motor			
Roller motor kW	0.37	0.37	0.37
Fan motor kW	0.18 / 0.255	2x0.18 / 0.255	2x0.18 / 0.255
Others kW	0.42	0.42	0.42
Exhaust ventilation mm	150	2x150	2x150
Gas consumption m ³ /h	3.74	5.52	6.89
Gas types G.	G20, G25, G30, G31	G20, G25, G30, G31	G20, G25, G30, G31
Max. Gas pressure mbar	67	67	67
Noise level dB(A)	67.6	67.6	67.6
Connection			
Electrical V Hz	3x380-415V+N 50/60Hz 3x208-240V 50/60Hz	3x380-415V+N 50/60Hz 3x208-240V 50/60Hz	3x380-415V+N 50/60Hz 3x208-240V 50/60Hz
Electrical requirements (gas)	400V	400V	400V
Amps A	5	5	5
Breaker size A	10	10	10
Full load - electric heated (415/50/3) A	58	125	125
Breaker - electric heated (415/50/3) A	63	200	200
Total power kW	38.4	56.0 {380V} 72.2 {220V}	66.3
Compressed air connection			
Exterior - Interior mm	Exterior: 12.7 Interior: 6.35	Exterior: 12.7 Interior: 6.35	Exterior: 12.7 Interior: 6.35
Transport data			
Ironer gross weight kg	1960 - E 1970 - G 1990 - S	2340 - E 2460 - G 2380 - S	2720 - E 2770 - G 2750 - S
Ironer net weight kg	1690 - E 1700 - G 1720 - S	2060 - E 2180 - G 2100 - S	2360 - E 2400 - G 2380 - S
Ironer HxWxD mm	1760x2850x1320	1760x3450x1320	1760x4050x1320
Crossfolder gross weight kg	n/a	760	810
Crossfolder net weight kg	n/a	515	560
Crossfolder HxWxD mm	n/a	1010x3500x870	1010x4100x870
Stacker gross weight kg	n/a	490	490
Stacker net weight kg	n/a	290	290
Stacker HxWxD mm	n/a	1300x2754x1220	1300x2754x1220
Packaging dimension HxWxD mm	2090x2990x1450	2090x3590x1450	2090x4190x1450
Volume m ³	9.06	10.88	12.70

*Tested in accordance of ISO 9398-1. The data concerning dimensions of machines include all extended parts.



Dimensions

Ironer

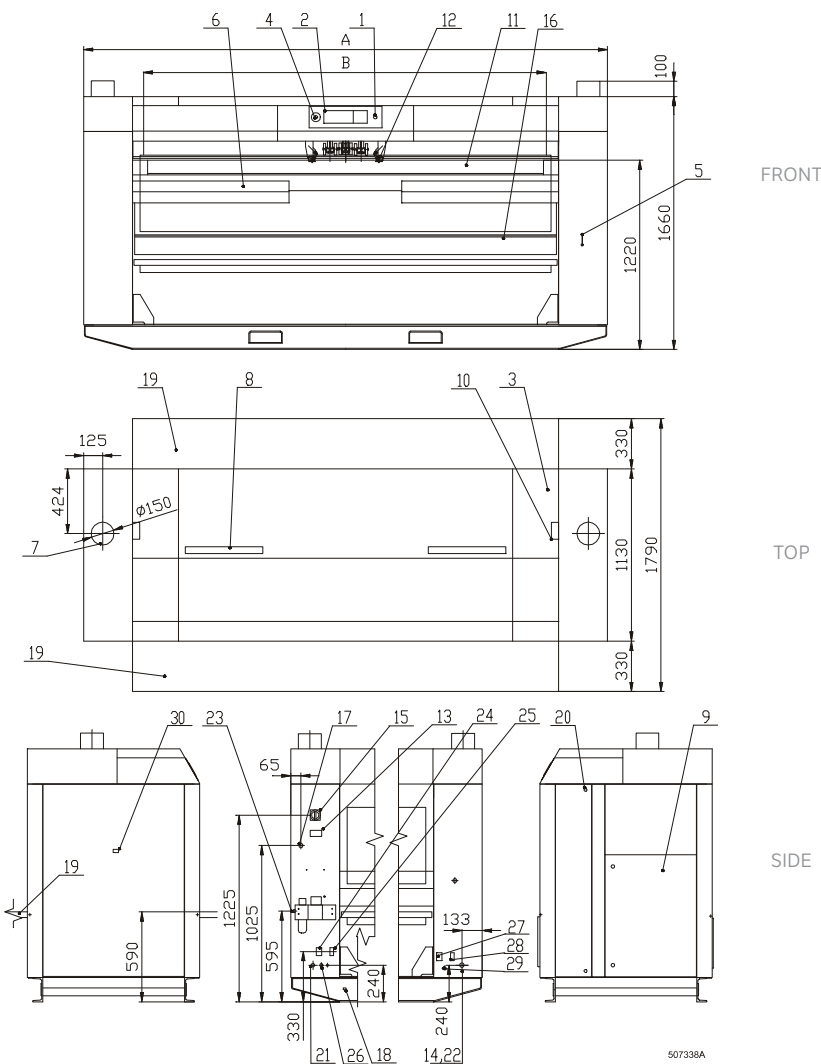
	Height	Width	Depth
FCSFF 2000/500	1760	2850	1320
FCSFF 2600/500	1760	3450	1320
FCSFF 3200/500	1760	4050	1320

Crossfolder

	Height	Width	Depth
FCSFF 2000/500	-	-	-
FCSFF 2600/500	1010	3500	870
FCSFF 3200/500	1010	4100	870

Stacker

	Height	Width	Depth
FCSFF 2000/500	-	-	-
FCSFF 2600/500	1300	2754	1220
FCSFF 3200/500	1300	2754	1220



- 1 Feeder button
- 2 Control panel
- 3 Upper cover
- 4 Emergency stop
- 5 Handle of manual drive
- 6 Telescopic brushes
- 7 Exhaust ventilation
- 8 Filter
- 9 Electric distributor
- 10 Suspension eyes
- 11 Feeding belts
- 12 Feeder
- 13 Production label
- 14 Condense drain (version "S")
- 15 Main switch
- 16 Front trough
- 17 Steam supply (version "S")
- 18 External protective connector
- 19 Folding table
- 20 Side cover lock
- 21 Main power supply
- 22 Gas supply (version "G")
- 23 Pressure air supply
- 24 Power supply connector for the cross folder
- 25 Connector for control cable for the cross folder
- 26 Pressure air connector for the cross folder
- 27 Power supply connection for the stacker
- 28 Control cable connection for the stacker
- 29 Pressure air connection for the stacker
- 30 Sight glass of burner (version "G")

507338A

