

Installation Instructions

for Topload Washers

Original Instructions

Keep These Instructions for Future Reference.

(If this machine changes ownership, this manual must accompany machine.)



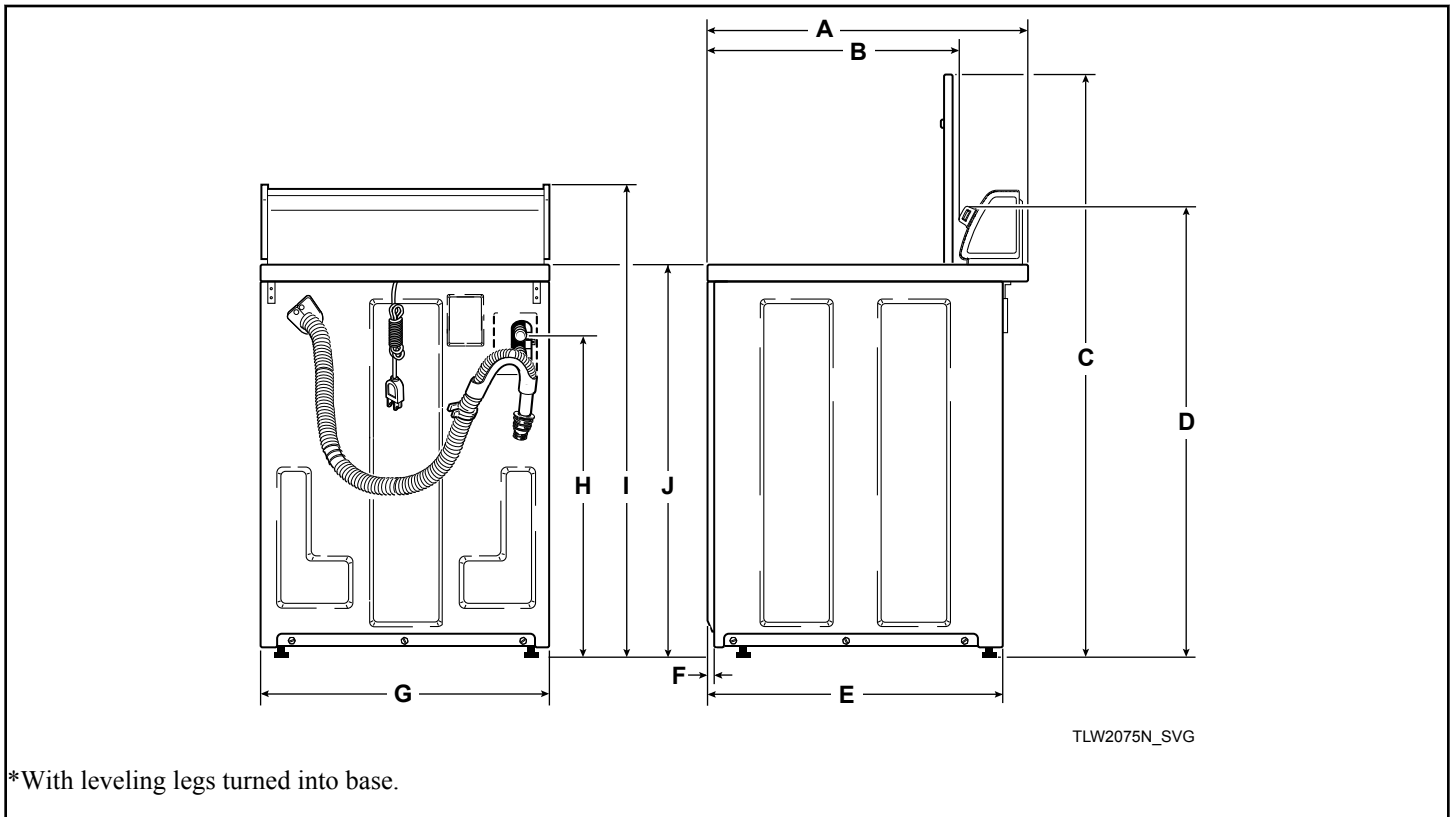
www.alliancelaundry.com

Part No. 38900ENR12
December 2014

Table of Contents

Washer Dimensions and Specifications.....	4
Installation.....	5
Before You Start.....	5
Supplies.....	5
Remove the Shipping Brace and Shipping Plug.....	5
Wipe Out Inside of Washtub.....	5
Connect Fill Hoses.....	6
Water Supply Requirements.....	6
Connecting Hoses.....	6
Risers.....	7
Connect Drain Hose to Drain Receptacle.....	7
Standpipe Installation.....	7
Low Standpipe Installation.....	8
Wall Installation.....	8
Laundry Tub Installation.....	8
Position and Level the Washer.....	9
Connect the Washer to Electrical Power.....	9
Electrical Requirements.....	10
Earth/Ground Instructions.....	11
Add Water to the Washer.....	11
Check Lid Switch.....	11
Check Installation.....	12
Installer Checklist.....	13

Washer Dimensions and Specifications



A	711 mm [28 in.]
B	562 mm [22.13 in.]
C	*1346 mm [53 in.]
D	*1022 mm [40.25 in.]
E	660 mm [26 in.]
F	10 mm [0.4 in.]
G	651 mm [25.63 in.]
H	*737 mm [29 in.]
I	*1092 mm [43 in.]
J	*914 mm [36 in.]

Installation

Before You Start

Supplies

For most installations, the basic supplies you will need are:

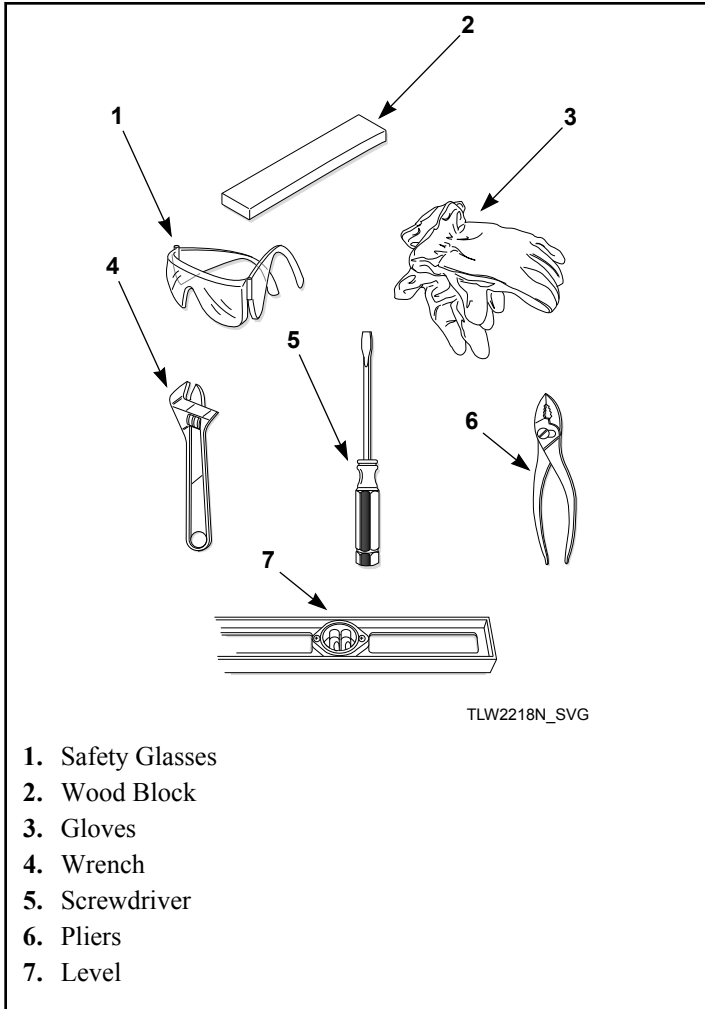


Figure 1

NOTE: If the washer is delivered on a cold day (below freezing), or is stored in an unheated room or area during the cold months, do not attempt to operate it until the washer has had a chance to warm up.

NOTE: Install dryer before washer. This allows room for attaching exhaust duct.

NOTE: This appliance is suitable for use in countries having a warm, damp climate.

Remove the Shipping Brace and Shipping Plug

1. Remove the shipping brace from under the lid.
2. The shipping plug will be released from the base of the washer when removing the cardboard base from the washer. Refer to *Figure 2*.

The shipping brace and plug should be saved and must be reinstalled whenever washer is moved or transported to a new location. This will prevent damage to washer components.

Do not tilt washer to front or sides when moving.

Refer to the User's Guide for instructions on reinstalling the shipping materials.

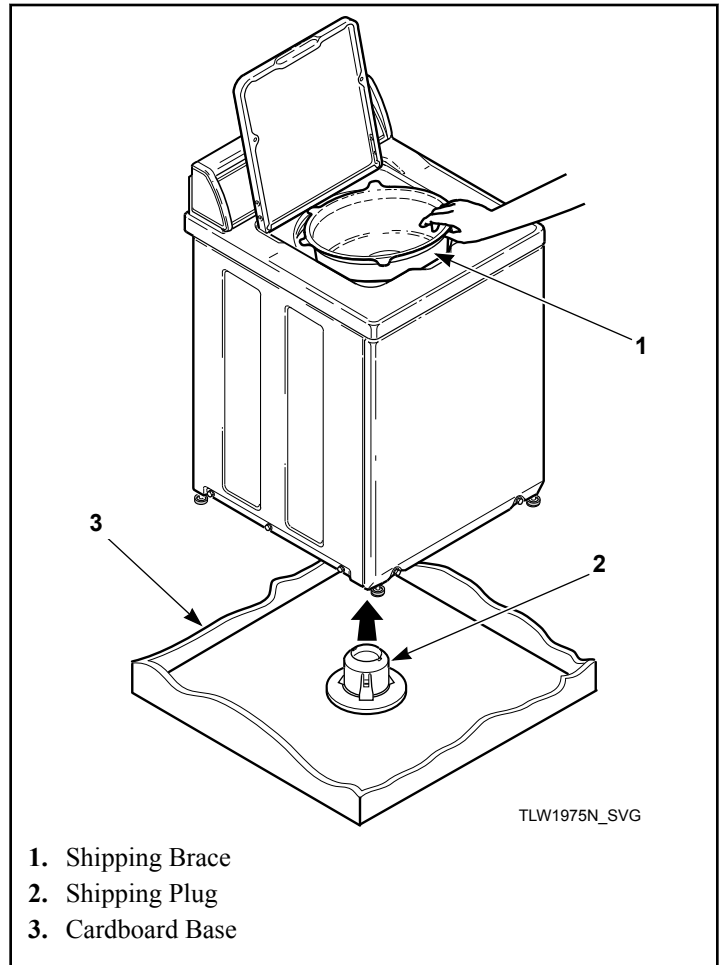


Figure 2

Wipe Out Inside of Washtub

Prior to first wash, use an all purpose cleaner or a detergent and water solution and a damp cloth to remove shipping dust from inside of washtub.

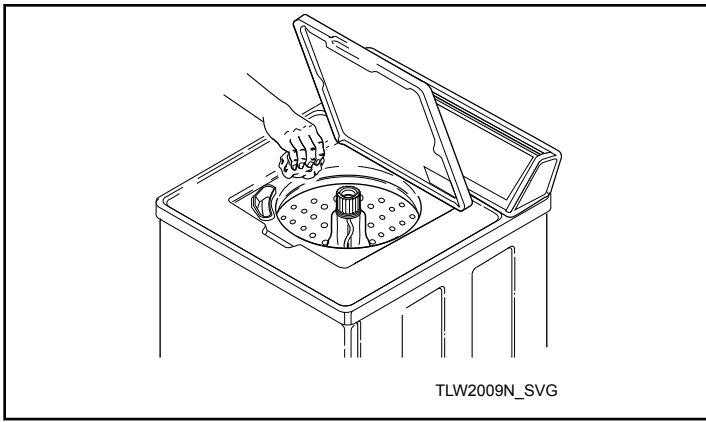


Figure 3

Connect Fill Hoses

	WARNING
<p>Under certain conditions, hydrogen gas may be produced in a hot water system that has not been used for two weeks or more. HYDROGEN GAS IS EXPLOSIVE. If the hot water system has not been used for such a period and before using the washer, turn on all hot water faucets and let the water flow from each for several minutes. This will release any accumulated hydrogen gas. The gas is flammable. Do not smoke or use an open flame during this time.</p>	
W029	

Water Supply Requirements

Water supply faucets must fit standard 19 mm [3/4 inch] female garden hose couplings. **DO NOT USE SLIP-ON OR CLAMP-ON CONNECTIONS.**

NOTE: Water supply faucets should be readily accessible to permit turning them off when washer is not being used.

Recommended cold water temperature is 10° to 24° Celsius [50° to 75° Fahrenheit]. Recommended maximum hot water temperature is 51° Celsius [125° Fahrenheit]. Warm water is a mixture of hot and cold water. Warm water temperature is dependent upon the water temperature and the pressure of both the hot and cold water supply lines.

	WARNING
<p>To prevent personal injury, avoid contact with inlet water temperatures higher than 51° Celsius [125° Fahrenheit] and hot surfaces.</p>	
W748	

Water pressure must be a minimum of 138 to a maximum of 827 kPa [minimum of 20 to a maximum of 120 pounds per square inch] static pressure measured at the faucet.

NOTE: Water pressure under 138 kPa [20 pounds per square inch] will cause an extended fill time in the washer.

The appliance is to be connected to the water mains using new hose-sets and the old hose-sets should not be reused.

Turn on the water supply faucets and flush the lines for approximately two minutes to remove any foreign materials that could clog the screens in the water mixing valve. This is especially important when installing your washer in a newly constructed or renovated building. Build-up may have occurred during construction.

Connecting Hoses

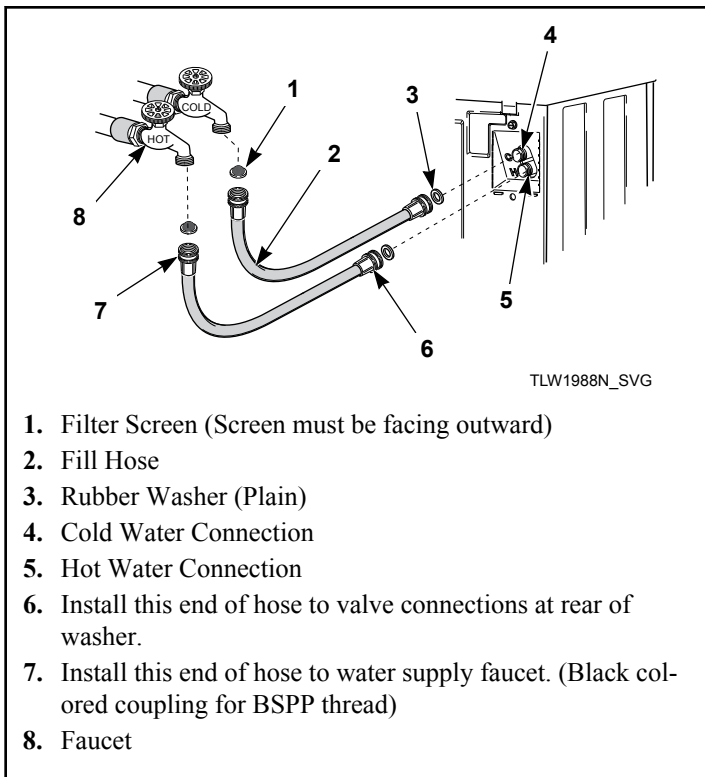
1. Insert rubber washers and filter screens (from accessories bag) in water fill hose couplings (two hoses supplied with washer). The filter screen must be facing outward.

NOTE: If using hoses with BSPP thread coupling, insert filter screens into the BLACK colored hose couplings and the rubber washers into the brass colored hose couplings.

2. Connect fill hose couplings with filter screens to water supply faucets.
3. Connect the other hose couplings to the hot and cold valve connections at the rear of the washer.

NOTE: If using hoses with BSPP thread coupling, connect the BLACK colored hose coupling end of the fill hoses (with filter screens) to the water supply faucets. Then connect end of hoses with the brass colored hose couplings to the hot and cold water mixing valve connections at rear of washer.

4. Thread hose couplings onto valve connections finger tight. Then turn 1/4 turn with pliers.
IMPORTANT: DO NOT cross thread or overtighten couplings. This will cause them to leak.
5. Turn water on and check for leaks.
6. If leaks are found, retighten the hose couplings.
7. Continue tightening and rechecking until no leaks are found.



1. Filter Screen (Screen must be facing outward)
2. Fill Hose
3. Rubber Washer (Plain)
4. Cold Water Connection
5. Hot Water Connection
6. Install this end of hose to valve connections at rear of washer.
7. Install this end of hose to water supply faucet. (Black colored coupling for BSPP thread)
8. Faucet

Figure 4

IMPORTANT:

Hoses and other natural rubber parts deteriorate after extended use. Hoses may develop cracks, blisters or material wear from the temperature and constant high pressure they are subjected to.

All hoses should be checked on a monthly basis for any visible signs of deterioration. Any hose showing the signs of deterioration listed above should be replaced immediately. All hoses should be replaced every five years.

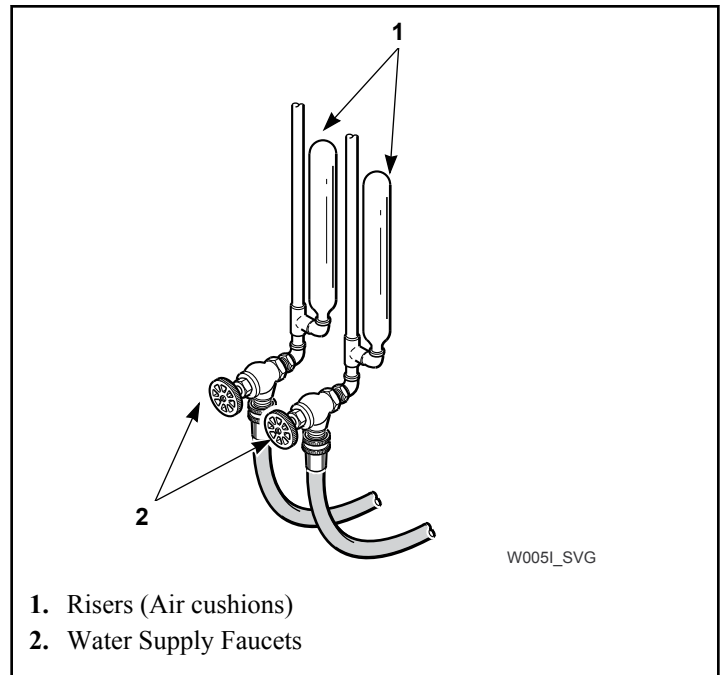
IMPORTANT: Turn off water supply faucets after check-out and demonstration. Owner should turn off water supply whenever there will be an extended period of non-use.

NOTE: Longer fill hoses are available (as optional equipment at extra cost) if the hoses (supplied with the washer) are not long enough for the installation. Order hoses as follows:

- No. 20617 Fill Hose: 2.44 m [8 feet] (2 standard thread hose couplings)
- No. 20618 Fill Hose: 3.05 m [10 feet] (2 standard thread hose couplings)
- No. 37380 Fill Hose: 2.44 m [8 feet] (1 standard thread, 1 BSPP thread hose coupling)
- No. 37381 Fill Hose: 3.05 m [10 feet] (1 standard thread, 1 BSPP thread hose coupling)

Risers

Risers (or air cushions) may have to be installed if the pipes knock or pound when flow of water stops. The risers are more efficient when installed as close as possible to the water supply faucets. Refer to *Figure 5*.



1. Risers (Air cushions)
2. Water Supply Faucets

Figure 5

Connect Drain Hose to Drain Receptacle

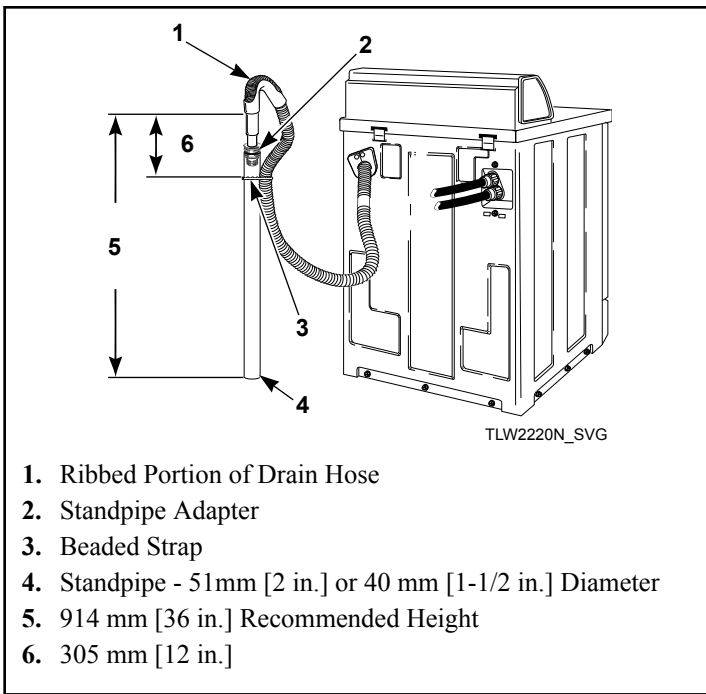
1. Remove the drain hose from its shipping position on the rear of the washer by unhooking the hose from the retainer clamp.
2. Install the drain hose into the drain receptacle (standpipe, wall or laundry tub) following the instructions below.

NOTE: Drain receptacle must be capable of handling a minimum of 32 mm [1-1/4 inch] outside diameter drain hose.

Standpipe Installation

1. Check standpipe height. The recommended height for the standpipe is 914 mm [36 inches]. Standpipes higher than 1220 mm [4 feet] are not recommended.
2. Place the adapter into the standpipe.

IMPORTANT: To prevent siphoning, do not place any ribbed portion of the drain hose into the standpipe.
3. Remove the beaded strap from accessories bag and place around standpipe and drain hose, approximately 300 mm [12 inches] down from the top of pipe. Refer to *Figure 6*.
4. Tighten strap to hold hose to standpipe. This will prevent the drain hose from dislodging from drain receptacle during use.



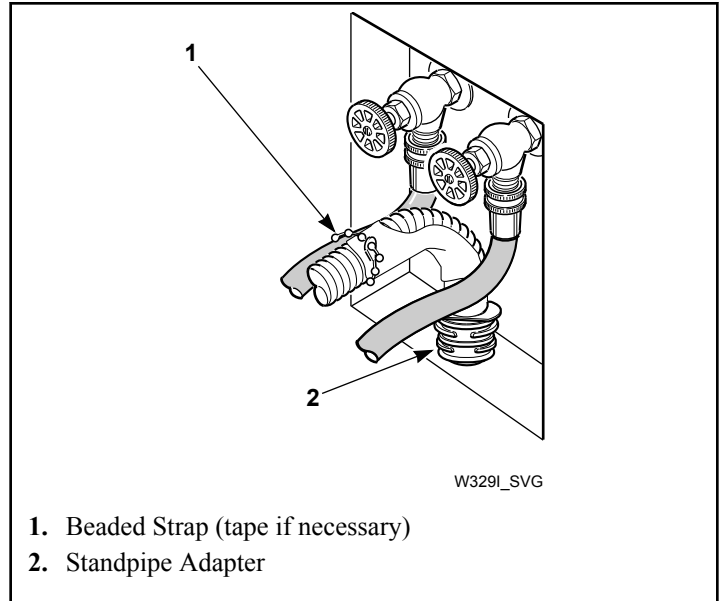
1. Ribbed Portion of Drain Hose
2. Standpipe Adapter
3. Beaded Strap
4. Standpipe - 51mm [2 in.] or 40 mm [1-1/2 in.] Diameter
5. 914 mm [36 in.] Recommended Height
6. 305 mm [12 in.]

Figure 6

Wall Installation

For installations of this type, the drain hose **MUST** be secured to one of the fill hoses using the beaded strap from accessories bag. Refer to *Figure 8*.

NOTE: End of drain hose must not be below height of cabinet top.

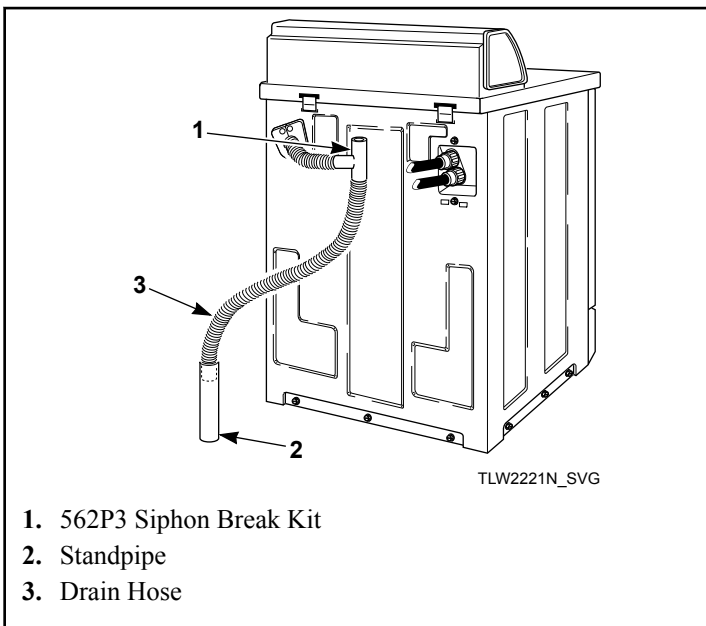


1. Beaded Strap (tape if necessary)
2. Standpipe Adapter

Figure 8

Low Standpipe Installation

If standpipe is lower than 914 mm [36 inches], you must install No. 562P3 Siphon Break Kit. Refer to *Figure 7*. This kit is available (as optional equipment at extra cost) through an authorized dealer or parts distributor. Installation instructions are supplied with the kit.



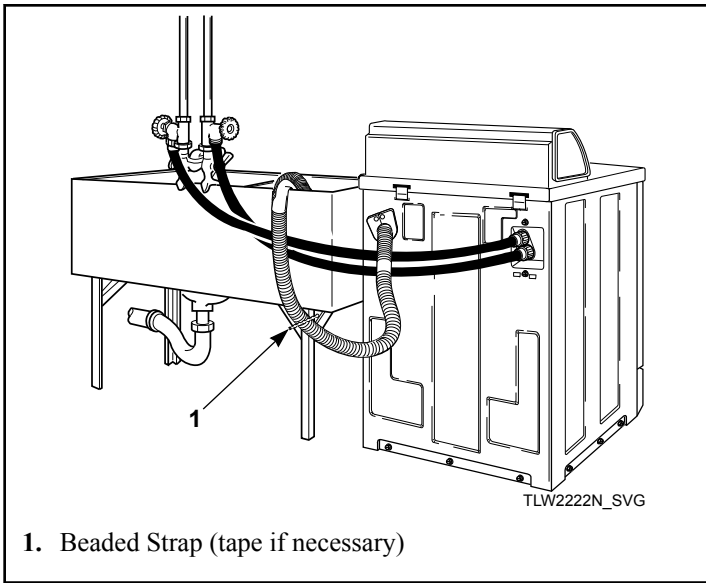
1. 562P3 Siphon Break Kit
2. Standpipe
3. Drain Hose

Figure 7

Laundry Tub Installation

For this type of installation, the drain hose **MUST** be secured to the stationary tub to prevent hose from dislodging during use. Refer to *Figure 9*. Use the beaded strap (supplied in accessories bag) to secure hose.

We recommend leaving the standpipe adapter on the drain hose for this type of installation.



1. Beaded Strap (tape if necessary)

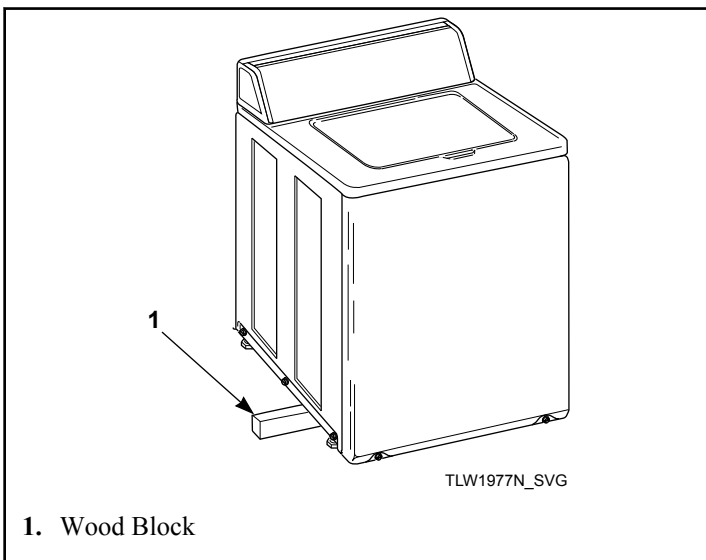
Figure 9

Position and Level the Washer

1. Position washer so it has sufficient clearance for installation and servicing.
2. Place washer in position on a clean, dry, and reasonably firm floor. Installing the washer on any type of carpeting is not recommended.

NOTE: The openings in the base must not be obstructed by a carpet.

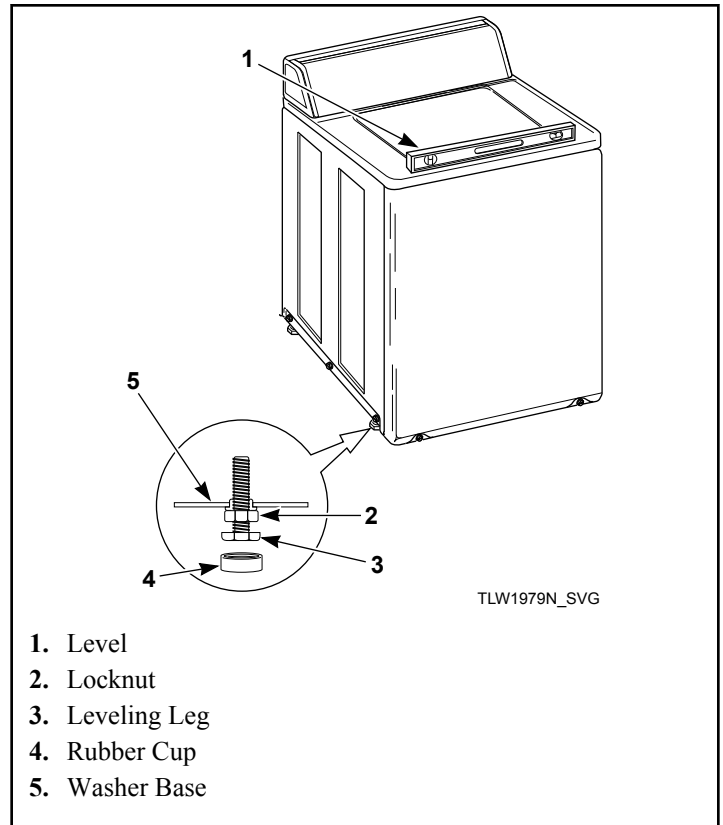
3. For easier access to leveling legs, prop up washer with a wooden block.



1. Wood Block

Figure 10

4. Place rubber cups (from accessories bag) on all four leveling legs.



1. Level
2. Locknut
3. Leveling Leg
4. Rubber Cup
5. Washer Base

Figure 11

5. Place a level on the cabinet top and check if the washer is level from side to side and front to back.
6. If washer is not level, tilt washer back to access the front leveling legs. Loosen the locknuts and adjust legs by screwing into or out of washer base.
7. Once adjusted, tilt the washer forward on front legs and lower back down into position to set the rear self-leveling legs.
8. Washer must not rock. When washer is level and does not rock, tighten locknuts securely against bottom of washer base. If these locknuts are not tight, washer will not remain stationary during operation.

Improper installation or flexing of weak floor will cause excessive vibration.

Do not slide washer across floor once the leveling legs have been extended, as legs and base could become damaged.

9. Verify that unit does not rock.


Connect the Washer to Electrical Power

This appliance is to be supplied through a residual current device (RCD) having a rated residual operating current not exceeding 30 mA.

Electrical Requirements


NOTE: Refer to the unit's serial plate for proper voltage and Hertz the unit is designed to operate on. Refer to Figure 1 for serial plate location.

NOTE: The wiring diagram is located in the control hood.

	WARNING
<p>To reduce the risk of fire, electric shock, serious injury or death, all wiring and protective earth/ground connections MUST conform with the latest edition of the National Electrical Code, ANSI/NFPA No. 70, and such local regulations as might apply. It is the customer's responsibility to have the wiring, fuses and circuit breakers installed by a qualified electrician to make sure adequate electrical power is available to the washer.</p>	
W824	

When connecting the washer to electrical power:

- DO NOT overload circuits.
- DO NOT use an extension cord.
- DO NOT use an adapter.
- DO NOT operate other appliances on the same circuit.

	WARNING
<p>To reduce the risk of an electric shock or fire, DO NOT use an extension cord or an adapter to connect the washer to the electric power source.</p>	
W082	

NOTE: Some models come without an electrical plug installed. If washer is not hard wired, a suitable plug that meets local electrical standards, including earth/ground requirements, must be installed. Refer to the washer serial plate for proper voltage and Hertz the washer is designed to operate on.

120 Volt, 60 Hertz, With 3-Prong Earth/Ground Plug

This washer is designed to be operated on a separate branch, polarized, three-wire, earth/ground, 120 Volt, 60 Hertz, AC (alternating current), circuit protected by a 15 ampere fuse, equivalent fusetron or circuit breaker.

The three-prong earth/ground plug on the power cord should be plugged directly into a polarized three-slot effective earth/ground receptacle rated 110/120 Volts AC (alternating current) 15 Amps.

120 Volt/50 Hertz

This washer is designed to be operated on a separate polarized three-wire, earth/ground, 120 Volt, 50 Hertz, single-phase electrical circuit protected by a 15 ampere fuse, equivalent fusetron or circuit breaker. DO NOT OPERATE OTHER APPLIANCES ON THE SAME CIRCUIT.

240 Volt/50 Hertz

This washer is designed to be operated on a separate polarized three-wire, earth/ground, 240 Volt, 50 Hertz, single-phase electrical circuit protected by a 10 ampere fuse, equivalent fusetron or circuit breaker. DO NOT OPERATE OTHER APPLIANCES ON THE SAME CIRCUIT.

230 Volt/50 Hertz

This washer is designed to be operated on a separate polarized three-wire, earth/ground, 230 Volt, 50 Hertz single-phase electrical circuit protected by a 10 ampere fuse, equivalent fusetron or circuit breaker. DO NOT OPERATE OTHER APPLIANCES ON THE SAME CIRCUIT.

220 Volt/60 Hertz

This washer is designed to be operated on a separate polarized three-wire, earth/ground, 220 Volt, 60 Hertz single-phase electrical circuit protected by a 10 ampere fuse, equivalent fusetron or circuit breaker. DO NOT OPERATE OTHER APPLIANCES ON THE SAME CIRCUIT.

240 Volt/60 Hertz

This washer is designed to be operated on a separate polarized three-wire, earth/ground, 240 Volt, 60 Hertz, single-phase electrical circuit protected by a 10 ampere fuse, equivalent fusetron or circuit breaker. DO NOT OPERATE OTHER APPLIANCES ON THE SAME CIRCUIT.

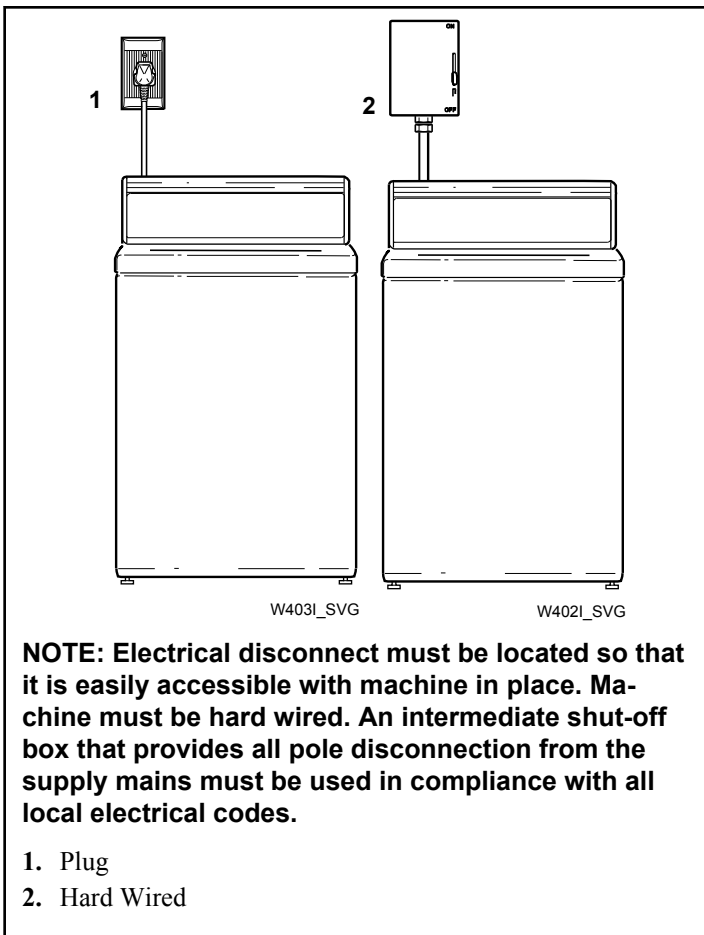


Figure 12

- DO NOT modify the plug provided with the unit – if it will not fit the outlet, have a proper outlet installed by a qualified electrician.
- If the laundry room’s electrical supply does not meet the above specifications and/or if you are not sure the laundry room has an effective earth/ground, have a qualified electrician or your local electrical utility company check it and correct any problems.

Add Water to the Washer

To prevent damage to pump, do not run washer before adding at least 0.95 liter [one quart] water to the tub. If the washer is run before any water is added, the pump seal may overheat, causing the pump to leak. Once installed, the water retained in the drain system from the previous cycle will provide sufficient cooling to prevent pump seal damage.

NOTE: The agitator should not be removed except for service. The washtub is designed to be self-cleaning.

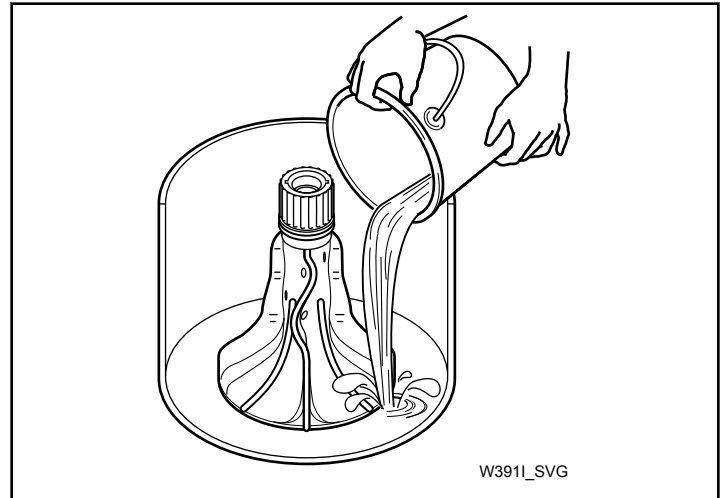


Figure 13

Earth/Ground Instructions

This appliance must be properly connected to protective earth/ground. In the event of malfunction or breakdown, the earth/ground will reduce the risk of electric shock by providing a path of least resistance for electric current.

The appliance is equipped with a cord having an equipment earth/ground conductor. Some models are also equipped with an earth/ground plug. The unit must be plugged or hard wired into an appropriate power source that is properly installed and connected to a protective earth/ground in accordance with all local codes and ordinances.

Check Lid Switch

Washer should stop agitating and spinning when lid is opened.

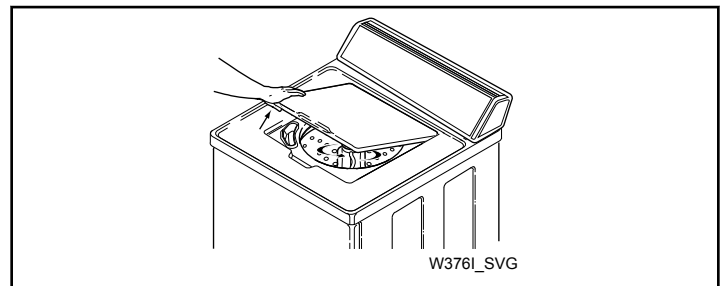


Figure 14

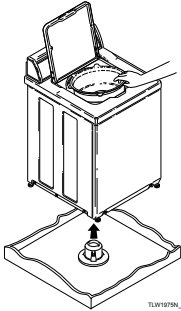
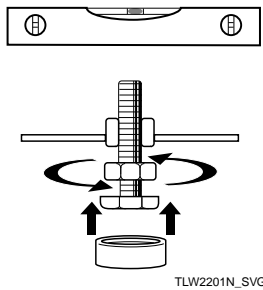
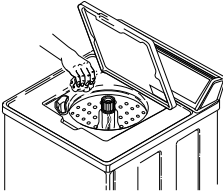

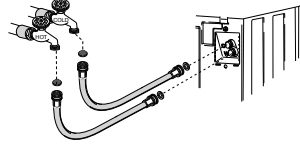
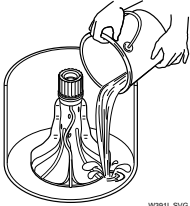
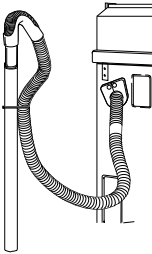
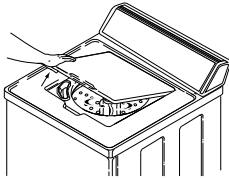
	<h2>WARNING</h2>
<p>Improper connection of the equipment earth/ground conductor can result in a risk of electric shock. Check with a qualified electrician or service person if you are in doubt as to whether the unit is properly connected to a protective earth/ground.</p>	
<p>W893</p>	

Check Installation

1. Refer to Installer Checklist on the back cover of this manual and make sure that washer is installed correctly.
2. Run washer through one complete cycle to make sure it is operating properly.

Installer Checklist

Fast Track for Installing the Washer

1	Remove the Shipping Brace and Shipping Plug.	 <small>TLW1070N_SVG1</small>	5	Position and Level the Washer.	 <small>TLW2201N_SVG</small>
	CHECK			CHECK	
2	Wipe Out Inside of Washtub.	 <small>TLW22009N_SVG</small>	6	Connect Washer to Electrical Power	 <small>W402_SVG1</small>
	CHECK			CHECK	
3	Connect Fill Hoses.	 <small>TLW1070N_SVG</small>	7	Add Water to the Washer.	 <small>W0911_SVG</small>
	CHECK			CHECK	
4	Connect Drain Hose to Drain Receptacle.	 <small>W3151E0A_SVG</small>	8	Check Lid Switch.	 <small>W3761_SVG</small>
	CHECK			CHECK	

Refer to the manual for more detailed information