

# Installation Instructions

## for Dryers

**Original Instructions**

**Keep These Instructions for Future Reference.**

(If this machine changes ownership, this manual must accompany machine.)





[www.alliancelaundry.com](http://www.alliancelaundry.com)

Part No. 514685R1  
November 2014



# Front Matter


	<b>WARNING</b>
 <b>Risk of fire. Highly flammable material.</b>	
W881	


**IMPORTANT:** The electrical installation in the site shall comply with the Australian Electrical Standards, AS3000, SAA wiring rules, and such local regulations that might apply. In Australia and New Zealand, installation must comply with the Gas Installations Standard AS/NZS 5601 Part 1: General Installations.

The maximum drying load (dry weight) shall not exceed 8.2 kg [18 pounds].





Read all instructions before using unit.


	<b>WARNING</b>
<b>FOR YOUR SAFETY, the information in this manual must be followed to minimize the risk of fire or explosion or to prevent property damage, personal injury or death.</b>	
W033	

	<b>WARNING</b>
<ul style="list-style-type: none"> <li>• Do not store or use gasoline or other flammable vapors and liquids in the vicinity of this or any other appliance.</li> <li>• <b>WHAT TO DO IF YOU SMELL GAS:</b> <ul style="list-style-type: none"> <li>• Do not try to light any appliance.</li> <li>• Do not touch any electrical switch; do not use any phone in your building.</li> <li>• Clear the room, building or area of all occupants.</li> <li>• Immediately call your gas supplier from a neighbor's phone. Follow the gas supplier's instructions.</li> <li>• If you cannot reach your gas supplier, call the fire department.</li> </ul> </li> <li>• Installation and service must be performed by a qualified installer, service agency or the gas supplier.</li> </ul>	
W052	

**IMPORTANT:** Purchaser must consult the local gas supplier for suggested instructions to be followed if the dryer user smells gas. The gas utility instructions plus the SAFETY and WARNING note directly above must be posted in a prominent location near the dryer for customer use.

	<b>WARNING</b>
<ul style="list-style-type: none"> <li>• Installation of unit must be performed by a qualified installer.</li> <li>• Install clothes dryer according to manufacturer's instructions and local codes.</li> <li>• <b>DO NOT</b> install a clothes dryer with flexible plastic venting materials. If flexible metal (foil type) duct is installed, it must be of a specific type identified by the appliance manufacturer as suitable for use with clothes dryers. Refer to section on connecting exhaust system. Flexible venting materials are known to collapse, be easily crushed, and trap lint. These conditions will obstruct clothes dryer airflow and increase the risk of fire.</li> </ul>	
W729R1	

	<b>WARNING</b>
<b>To reduce the risk of severe injury or death, follow all installation instructions. Save these instructions.</b>	
W894	

	<b>WARNING</b>
FOR YOUR SAFETY	
Do not store or use gasoline or other flammable vapors and liquids in the vicinity of this or any other appliance.	
W053	

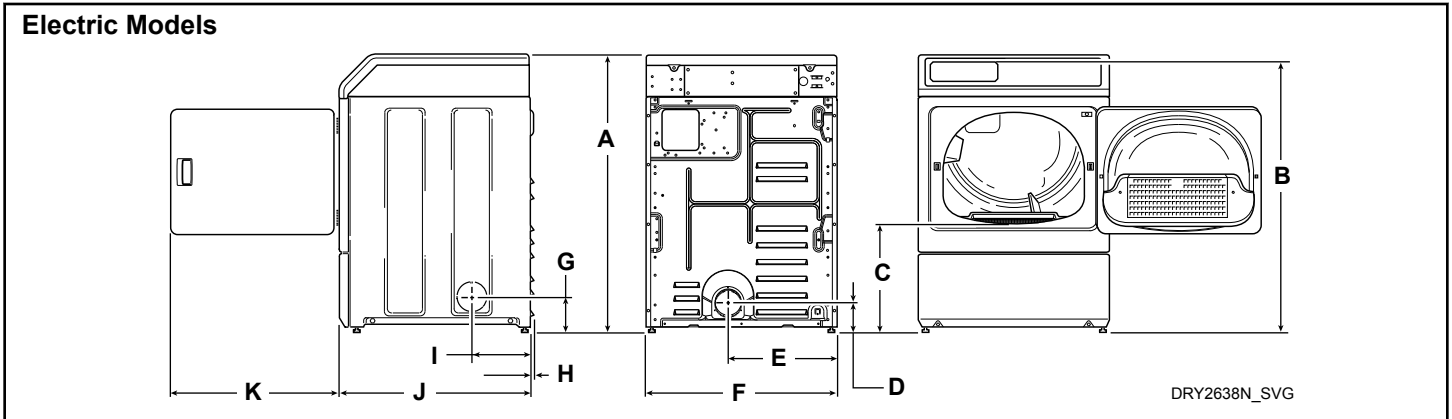
This product uses FreeRTOS V7.2.0 ([www.freertos.org](http://www.freertos.org)).

**NOTE: For Australian models, the energy consumption is measured as used once per week using the Perm Press Automatic cycle with High Temperature and Dryness Dry.**

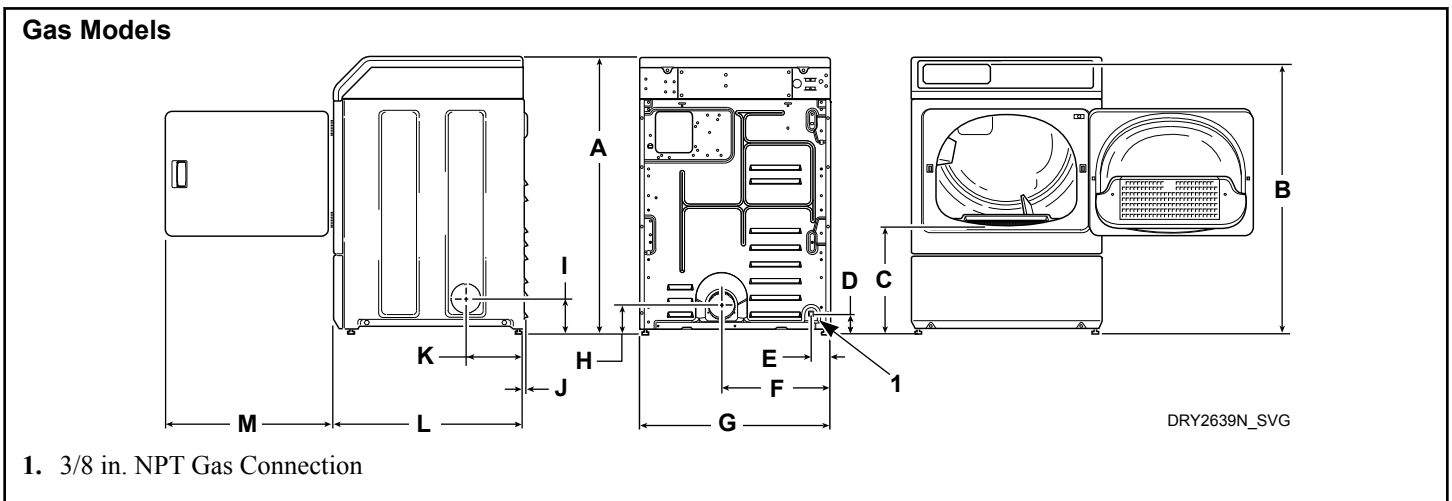
# Table of Contents

<b>Dimensions.....</b>	<b>6</b>
<b>Installation.....</b>	<b>8</b>
Before You Start.....	8
Supplies.....	8
Order of Installation Steps.....	8
Position and Level the Dryer.....	8
Connect Dryer Exhaust System.....	11
Exhaust Direction.....	12
Exhaust System.....	13
Gas Dryers - Connect Gas Supply Pipe.....	13
Reverse Door, if Desired.....	15
Wipe Out Inside of Dryer.....	16
Plug In the Dryer.....	16
Electrical Requirements.....	16
Earth/Ground Instructions.....	18
Recheck Steps.....	18
Check Heat Source.....	18
Electric Dryers.....	18
Gas Dryers.....	18
All Dryers.....	19
<b>Installer Checklist.....</b>	<b>20</b>

# Dimensions



A	* 1027 mm [40.42 in.]
B	* 1006 mm [39.61 in.]
C	* 392 mm [15.44 in.]
D	* 102 mm [4 in.]
E	391 mm [15.4 in.]
F	683 mm [26.875 in.]
G	* 114 mm [4.5 in.]
H	10 mm [0.4 in.]
I	203 mm [8 in.]
J	711 mm [28 in.]
K	597 mm [23.5 in.]
<b>NOTE: Exhaust openings are 102 mm [4 inch] metal ducting.</b>	* With leveling legs turned into base.



A	*1027 mm [40.42 in.]
B	*1006 mm [39.61 in.]
C	*392 mm [15.44 in.]
D	*70 mm [2.8 in.]
E	60 mm [2.3 in.]
F	391 mm [15.4 in.]
G	683 mm [26.875 in.]
H	102 mm [4 in.]
I	*114 mm [4.5 in.]
J	10 mm [0.4 in.]
K	203 mm [8 in.]
L	711 mm [28 in.]
M	597 mm [23.5 in.]
<b>NOTE: Exhaust openings are 102 mm [4 inch] metal ducting.</b>	* With leveling legs turned into base.

**NOTE: Gas models cannot be vented out left side of cabinet because of burner housing.**

**IMPORTANT: The dryer should have sufficient clearance around it for needed ventilation and for the ease of installation and servicing. For maximum drying performance, we recommend that more clearance be allowed around the dryer than the clearances that are listed throughout this manual.**

# Installation

## Before You Start

### Supplies

For most installations, the basic supplies you will need are:

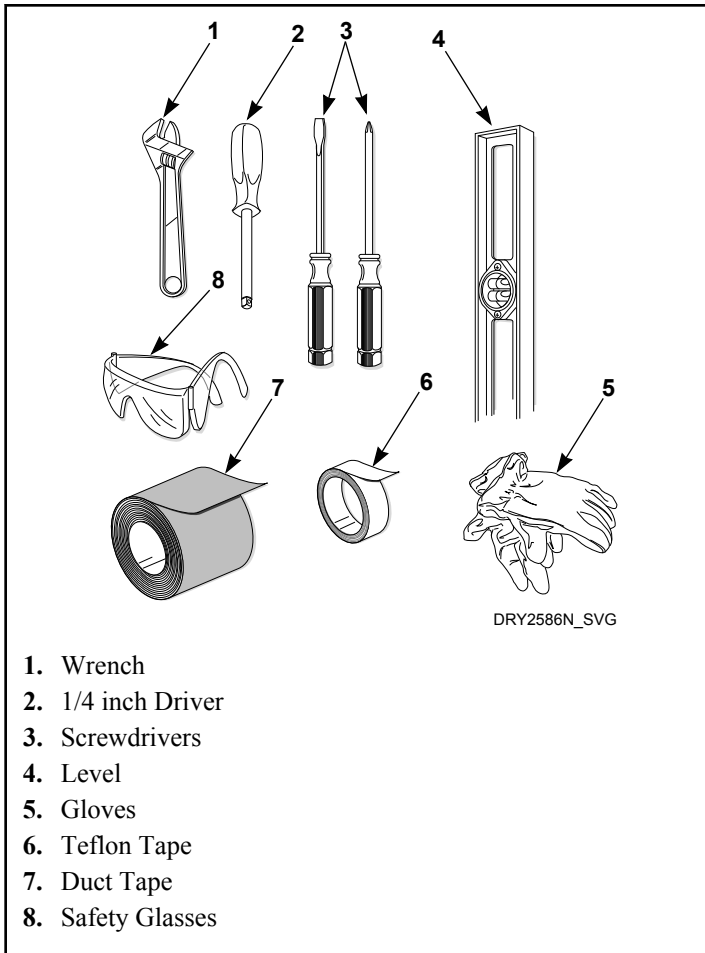


Figure 1

**NOTE:** This appliance is suitable for use in countries having a warm, damp climate.

	<b>WARNING</b>
<b>Any disassembly requiring the use of tools must be performed by a suitably qualified service person.</b>	
W299	

### Order of Installation Steps

1. Position and level the dryer.
2. Connect dryer to exhaust system.

3. For gas models only, connect the gas supply pipe. Check for gas leaks.
4. Reverse the door, if desired.
5. Wipe out the inside of the dryer.
6. Plug in the dryer.
7. Recheck steps.
8. Start and run the dryer in a heat setting to verify dryer is heating.

## Position and Level the Dryer

1. Install dryer before washer. This allows room for attaching exhaust duct.
2. Select a location with a solid floor. Dryers installed in residential garages must be elevated 457 mm [18 inches] above the floor.

No other fuel burning appliance should be installed in the same closet with the dryer.

The dryer must not be installed or stored in an area where it will be exposed to water and/or weather.

The dryer needs sufficient clearance and an adequate air supply for proper operation and ventilation, and for easier installation and servicing. (Minimum clearances are shown in *Figure 3*).

The dryer must not be installed behind a lockable door, a sliding door or a door with a hinge on the opposite side to that of the dryer, in such a way that a full opening of the dryer door is restricted.

3. Place the dryer in position, and adjust the legs until the dryer is level from side to side and front to back. Leveling legs can be adjusted from inside the dryer with a 1/4 in. driver.
4. All four legs must rest firmly on the floor so the weight of the dryer is evenly distributed. The dryer must not rock.



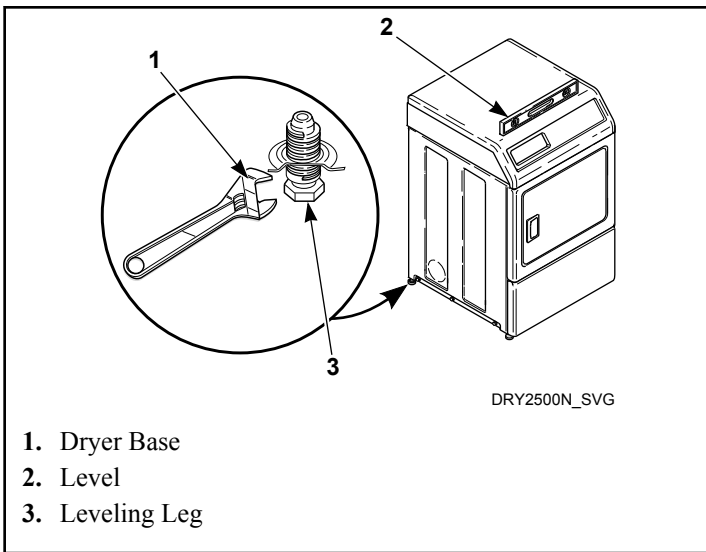
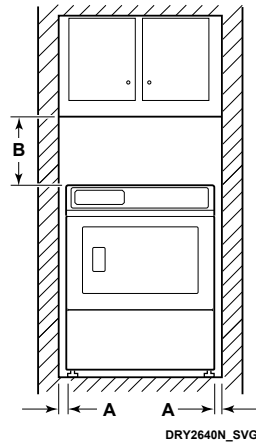
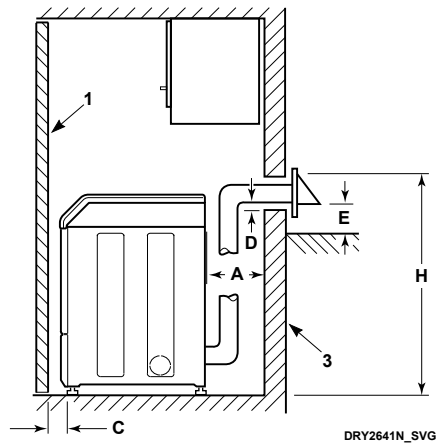


Figure 2

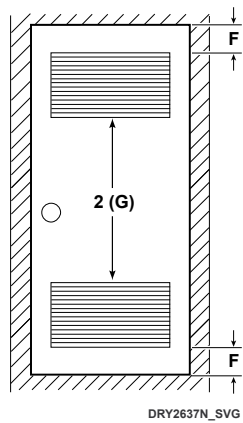
**Front View (Without Closet Door)**



**Side View (Closet Door)**



**Front View (Closet Door)**



- 1. Closet Door
- 2. Centered Air Openings (G) (2 Openings minimum)
- 3. Outer Wall of Enclosure


Figure 3


Area	Description	Free Standing/Alcove Installation	Closet Installation
A*	Dryer sides and rear clearance	0 mm [0 in.]	0 mm [0 in.]
B	Dryer top clearance	305 mm [12 in.]	305 mm [12 in.]
C	Dryer front clearance	Not Applicable	51 mm [2 in.]
D	Exhaust duct clearance to combustible material	51 mm [2 in.]	51 mm [2 in.]
E	Weather hood to ground clearance	305 mm [12 in.]	305 mm [12 in.]
F	Distance from floor or ceiling to air opening edge	Not Applicable	76 mm [3 in.]
G	Area of centered air openings in closet door. Louvered door with equivalent air openings is acceptable. (Minimum clearances are shown.)	Not Applicable	1016 sq. mm/open [40 sq. in./open]
H	For new installations, locate top of wall vent 1067 mm [42 inches] above floor to make venting easier to connect.	1067 mm [42 in.]	1067 mm [42 in.]
*	Rear clearance is minimum. 51 mm [2 inches] is recommended for utility connection. 152 mm [6 inches] is recommended when venting through rear of unit.		


Table 1


**IMPORTANT:** In mobile home installations, gas dryers **MUST** be permanently attached to the floor at the time of installation. Order No. 526P3 Hold Down Kit (available at extra cost) for a manufactured (mobile) home installation. Follow the instructions supplied with the kit.


### Connect Dryer Exhaust System

	<b>WARNING</b>
<p>To reduce the risk of fire and combustion gas accumulation the dryer <b>MUST</b> be exhausted to the outdoors.</p>	
W604	

	<b>WARNING</b>
<p>To reduce the risk of fire and the accumulation of combustion gases, <b>DO NOT</b> exhaust dryer air into a window well, gas vent, chimney or enclosed, unventilated area, such as an attic, wall, ceiling, crawl space under a building or concealed space of a building.</p>	
W045	

	<b>WARNING</b>
<p>To reduce the risk of fire, <b>DO NOT</b> use plastic or thin foil ducting to exhaust the dryer.</p>	
W354	

	<b>WARNING</b>
<p><b>To reduce the risk of fire, the exhaust duct and weather hood MUST be fabricated of a material that will not support combustion. Rigid or flexible metal pipe is recommended for a clothes dryer.</b></p>	
W048	

	<b>WARNING</b>
<p><b>To reduce the risk of fire due to increased static pressure, we do not recommend installation of in-line secondary lint filters or lint collectors. If secondary systems are mandated, frequently clean the system to assure safe operation.</b></p>	
W749	

**IMPORTANT: Installing in-line filters or lint collectors will cause increased static pressure. Failure to maintain the secondary lint system will decrease dryer efficiency and will void machine warranty.**

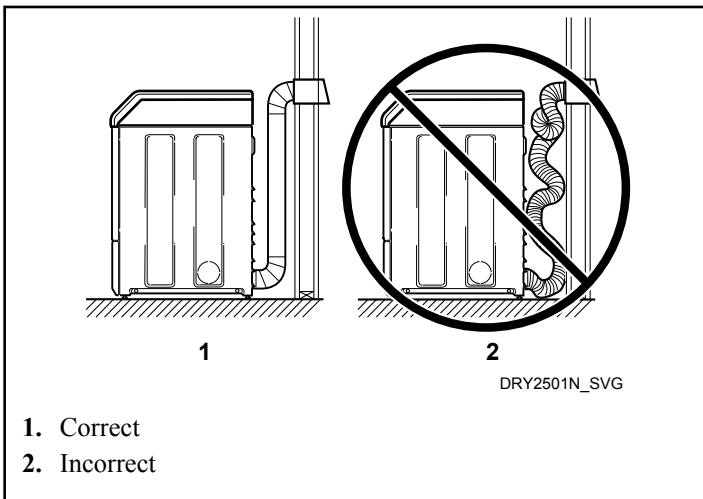


Figure 4

- DO NOT use plastic, thin foil or type B ducting. Rigid metal duct is recommended.
- Locate dryer so exhaust duct is as short as possible.
- Be certain old exhaust ducts are cleaned before installing your new dryer.
- Use 102 mm [4 inch] diameter rigid or flexible metal duct.
- The male end of each section of duct must point away from the dryer.
- Use as few elbows as possible.
- Use of duct tape or pop-rivets on all seams and joints is recommended, if allowed by local codes. DO NOT use sheet

metal screws or fasteners on exhaust pipe joints which extend into the duct and catch lint.

- Ductwork that runs through unheated areas must be insulated to help reduce condensation and lint build-up on pipe walls.
- Install backdraft dampers in multi-dryer installations.
- In mobile home installations, dryer exhaust duct must be secured to mobile home structure.
- Dryer exhaust duct MUST NOT terminate under mobile home.
- Exhaust duct must not be connected to any other duct, vent, or chimney.
- Dryer exhausts 5.09 cmm (180 cfm) (measured at back of dryer).
- DO NOT install flexible duct in concealed spaces, such as a wall or ceiling.
- Static pressure in exhaust duct should not be greater than 10 mm water column [0.4 inches water column], measured with manometer placed on exhaust duct 610 mm [two feet] from dryer (check with dryer running and no load). In multi-dryer installations, all dryers connected to the main collector duct should be operating when pressure is checked.
- Exhausting dryer in hard-to-reach locations can be done by installing 521P3 Flexible Metal Vent Kit (available as optional equipment at extra cost).
- Sufficient make-up air must be supplied to replace the air exhausted by the dryer. The free area of any opening for outside air must be at least 1016 mm<sup>2</sup> [40 in.<sup>2</sup>].
- Energy efficient buildings with low air infiltration rates should be equipped with an air exchanger that can accommodate on demand make-up air needs in the laundry room. These devices can be obtained through your building contractor or building material suppliers.
- Do not draw make-up air from a room containing a gas fired water heater, a dry cleaner or a hair salon.
- Failure to exhaust dryer properly will void warranty.

**NOTE: Venting materials are not supplied with the dryer (obtain locally).**

**IMPORTANT: DO NOT block the airflow at the bottom of the dryer's front panel with laundry, rugs, etc. Blockage will decrease airflow through the dryer, thus reducing the efficiency of the dryer.**

### Exhaust Direction

The dryer can be exhausted to the outdoors through the back, left, right or bottom of the dryer. EXCEPTION: Gas dryers cannot be vented out the left side because of the burner housing.

Dryer is shipped from factory ready for rear exhaust.

Exhausting the dryer through sides or bottom can be accomplished by installing a Directional Exhaust Kit, 528P3, available as optional equipment at extra cost.

**IMPORTANT: DO NOT block the airflow at the bottom of the dryer’s front panel with laundry, rugs, etc. Blockage will decrease airflow through the dryer, thus reducing the efficiency of the dryer.**

To prevent backdraft when dryer is not in operation, outer end of exhaust pipe must have a weather hood with hinged dampers (obtain locally).

**NOTE: Weather hood should be installed at least 305 mm [12 inches] above the ground. Larger clearances may be necessary for installations where heavy snow-fall can occur.**

**Exhaust System**

For best drying results, recommended maximum length of exhaust system is shown in *Table 2*.

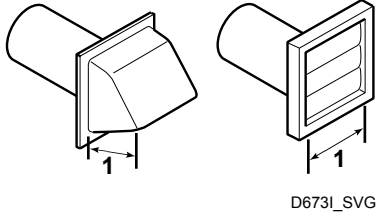
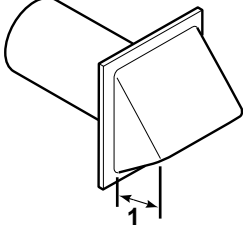
Number of 90° Elbows	Weather Hood Type	
	Recommended	Use Only for Short Run Installations
	 <p>1. 102 mm [4 in.]</p>	 <p>1. 64 mm [2.5 in.]</p>
<b>Maximum length of 102 mm [4 in.] diameter rigid metal duct.</b>		
0	19.8 m [65 feet]	16.8 m [55 feet]
1	16.8 m [55 feet]	14.3 m [47 feet]
2	14.3 m [47 feet]	12.5 m [41 feet]
3	11.0 m [36 feet]	9.1 m [30 feet]
4	8.5 m [28 feet]	6.7 m [22 feet]

Table 2

**NOTE: Deduct 1.8 m [6 feet] for each additional elbow.**

**NOTE: The maximum length of a 102 mm [4 in.] diameter flexible metal duct must not exceed 2.4 m [7.87 ft.], as required to meet UL2158, clause 7.3.2.A.**

ment you allow more clearance than the clearances that are listed throughout this manual.

2. Remove the shipping cap from the gas connection at the rear of the dryer. Make sure you do not damage the pipe threads when removing the cap.
3. Make certain your dryer is equipped for use with the type of gas in your laundry room.

**NOTE: Natural gas, 37.3 MJ/m<sup>3</sup> [1000 Btu/ft<sup>3</sup>], service must be supplied at 1.13 kPa [4.54 inch] water column pressure. Do not connect the dryer to L.P. (Liquefied Petroleum) gas service without converting the gas valve. A No. 401P3 L.P. Gas Conversion Kit must be installed by the Manufacturer’s Authorized Dealers, Distributors, or local service personnel.**

**Gas Dryers - Connect Gas Supply Pipe**

**NOTE: The gas service to a gas dryer must conform with the local codes and ordinances and in Australia and New Zealand, installation must comply with the Gas Installations Standard AS/ NZS 5601 Part 1: General Installations. In the absence of local codes and ordinances, applicable National codes should be followed.**

1. Install the dryer with sufficient clearance for adequate air circulation, and for the ease of the dryer installation, servicing and operation. For maximum drying performance, we recom-

**NOTE: L.P. gas, 93.1 MJ/m<sup>3</sup> [2500 Btu/ft<sup>3</sup>], service must be supplied at 2.75 kPa [11.04 inch] water column pressure and a vent to the outdoors must be provided.**

- If local codes allow the use of flexible gas tubing, connect the 9.5 mm [3/8 inch] NPT (National Pipe Thread) gas connection at the rear of the dryer to the laundry room’s gas line with new flexible stainless steel tubing (using design certified Australian Gas Association connector only).

**IMPORTANT: Use local codes of practice for gas installation.**

This dryer is equipped with jet for Natural gas.

Gas Consumption	Natural	21.9 MJ
	L.P.	21.9 MJ
Gas Supply Pressure	Natural	1.13 kPa
	L.P.	2.75 kPa

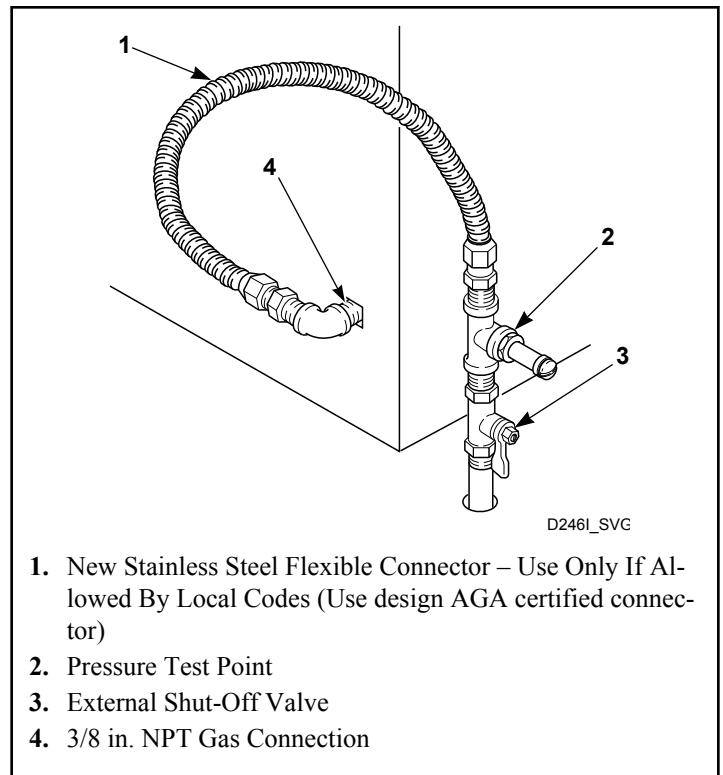


## WARNING

To reduce the risk of gas leaks, fire or explosion:

- The dryer must be connected to the type of gas as shown on nameplate located in the door recess.**
- Use a new flexible stainless steel connector.**
- Use pipe joint compound insoluble in L.P. (Liquefied Petroleum) Gas, or Teflon tape, on all pipe threads.**
- Purge air and sediment from gas supply line before connecting it to the dryer. Before tightening the connection, purge remaining air from gas line to dryer until odor of gas is detected. This step is required to prevent gas valve contamination.**
- Do not use an open flame to check for gas leaks. Use a non-corrosive leak detection fluid.**
- Any disassembly requiring the use of tools must be performed by a suitably qualified service person.**

W316



- New Stainless Steel Flexible Connector – Use Only If Allowed By Local Codes (Use design AGA certified connector)
- Pressure Test Point
- External Shut-Off Valve
- 3/8 in. NPT Gas Connection

Figure 5

**NOTE: When connecting gas supply line, a pressure test point must be installed downstream from the shutoff valve for checking inlet gas pressure.**

- The gas line to your laundry room should be made of black iron pipe. A 9.5 mm [3/8 inch] pipe with an inside diameter of 11.7 mm [0.46 inch] will be adequate if length of supply line is not over 6 m [20 feet]. If length exceeds this, use 12.7 mm [1/2 inch] pipe. If copper semi-rigid tubing is used it must be internally tinned or equivalently treated to resist sulfur corrosion.

**NOTE: The dryer and its individual gas valve must be disconnected from the gas supply piping system during any pressure testing of that system at test pressures in excess of 3.45 kPa [1/2 psig].**

- Check all pipe connections (internal and external) for gas leaks with a soapy solution. Gas connections should be checked annually for leakage.
- Be sure the shut off valve in your dryer is OPEN. Your dryer is shipped with the valve open.
- The dryer gas valve is equipped with a pressure test point for checking manifold pressure.

For proper operation at altitudes above 760 m [2500 feet] the gas valve spud orifice size must be reduced to ensure complete combustion. Refer to *Table 3* and *Table 4*.

Natural Gas Altitude Adjustments			
Altitude	Orifice Size		Part Number
m [ft]	No.	mm [inches]	
760 [2500]	45	2.08 [0.0820]	503779
1370 [4500]	46	2.06 [0.0810]	503780
1830 [6000]	47	1.99 [0.0785]	503781
2290 [7500]	48	1.93 [0.0760]	503782
2900 [9500]	49	1.85 [0.0730]	503783
3355 [11000]	50	1.78 [0.0700]	503784

Table 3

L.P. Altitude Adjustments			
Altitude	Orifice Size		Part Number
m [ft]	No.	mm [inches]	
1370 [4500]	56	1.2 [0.0465]	503786
3000 [9500]	57	1.1 [0.0430]	60941

Table 4

### Reverse Door, if Desired

**NOTE: Doors with windows cannot be reversed.**

The door on this dryer is completely reversible. To reverse door proceed as follows:

1. Remove four hinge attaching screws.

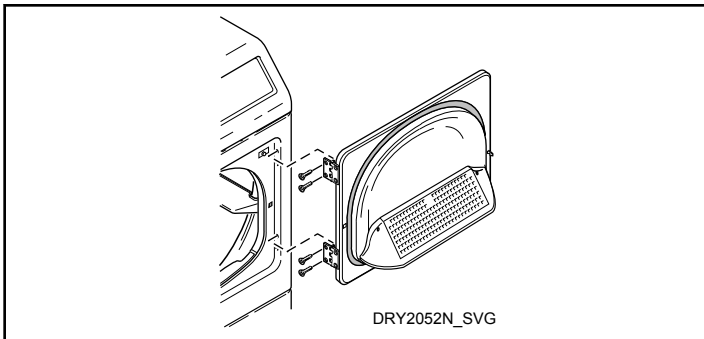


Figure 6

2. Remove all nine screws.

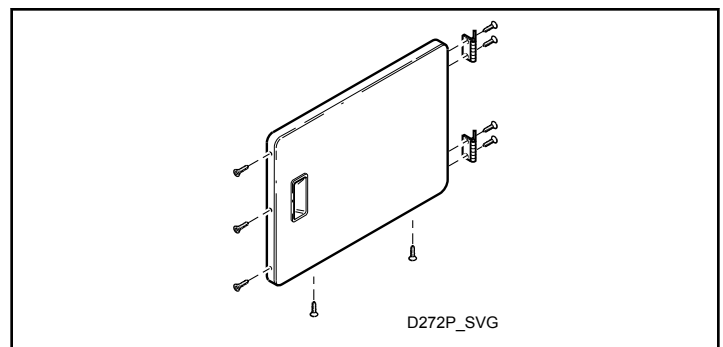


Figure 7

3. Pull bottom of door liner out, then pull down, removing door liner from door panel.

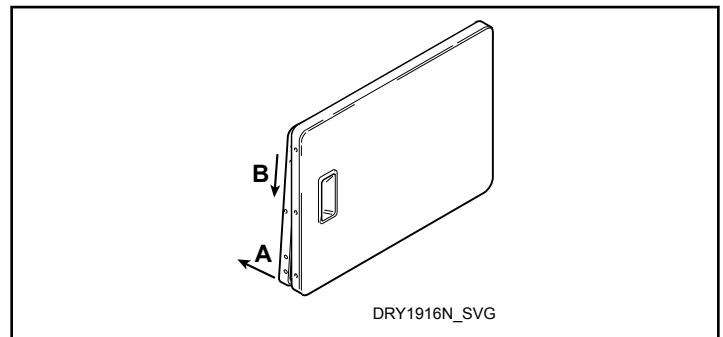


Figure 8

4. Rotate door panel 180 degrees as shown.

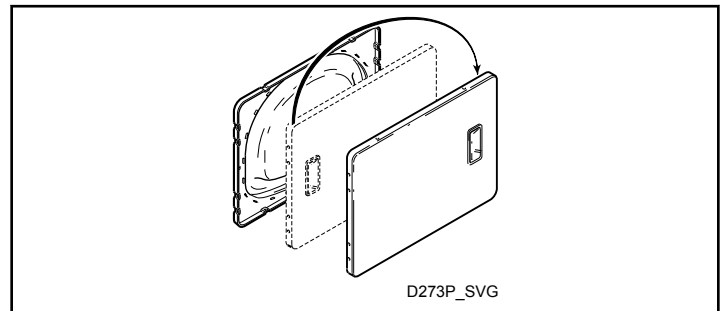


Figure 9

5. Remove door strike from door liner and reinstall on opposite side.

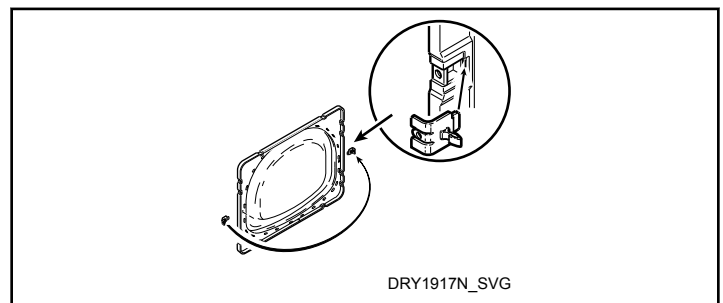


Figure 10

## Installation

6. Insert liner under flange on bottom of door, then push top of door liner into place.

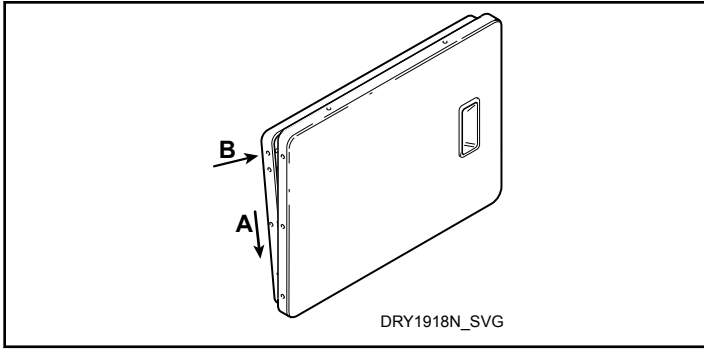


Figure 11

7. Reinstall nine screws removed in Step 2.

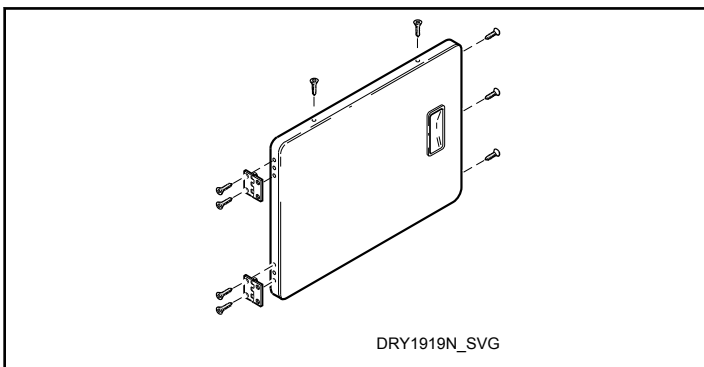


Figure 12

8. Using screwdriver, remove two door plugs, and reinstall on opposite side of door opening.

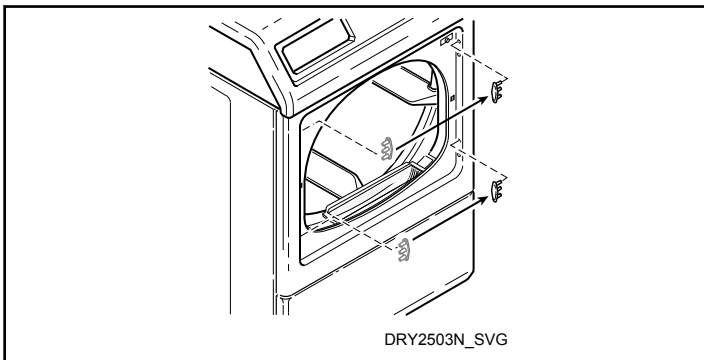


Figure 13

9. Reinstall four hinge attaching screws, removed in Step 1.

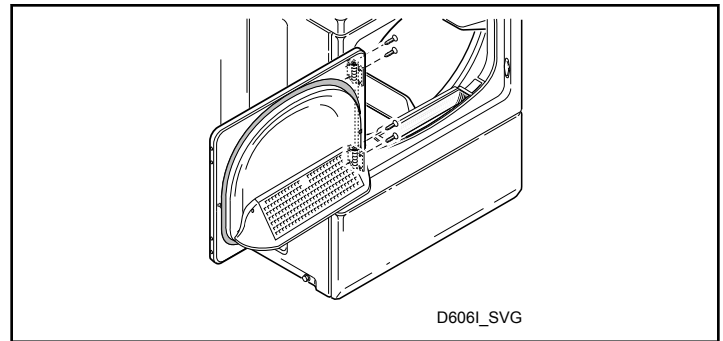


Figure 14

## Wipe Out Inside of Dryer

Before using dryer for the first time, use an all-purpose cleaner, or a detergent and water solution, and a damp cloth to remove shipping dust from inside dryer drum.

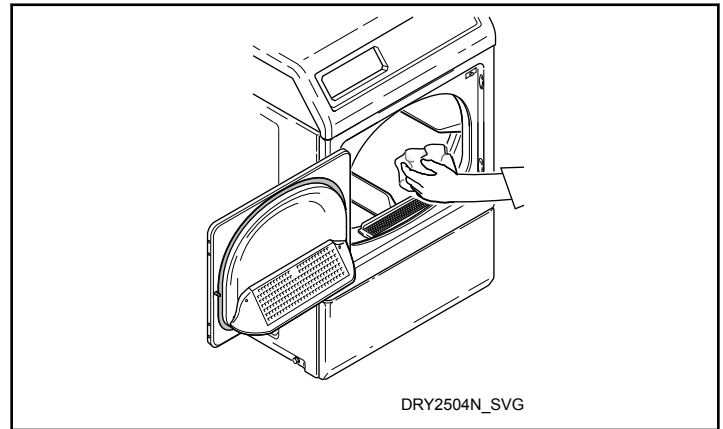


Figure 15

## Plug In the Dryer


This appliance is to be supplied through a residual current device (RCD) having a rated residual operating current not exceeding 30 mA.

### Electrical Requirements

#### Electric Dryer


**NOTE:** The wiring diagram is located in the control cabinet.



	<h2>WARNING</h2>
<p><b>To reduce the risk of fire, electric shock or personal injury, all wiring and earthing to the dryer MUST conform with the latest edition of the Australian Electrical Standards, AS3000, SAA wiring rules, and such local regulations that might apply.</b></p>	
W478	

This dryer is designed to be operated on a two-wire, plus earth/ground, 240 Volt, 50 Hertz, single-phase circuit, fused at 20 Amperes.

Insert the dryer's lead-in cord plug into an earthing three-slot-plus earth/ground, wall receptacle on a separate circuit. Do not operate other appliances on the same circuit.

	<h2>CAUTION</h2>
<p><b>If this appliance is supplied from a cord extension set or an electrical portable outlet device, the cord extension set or electrical portable outlet device must be positioned so that it is not subject to splashing or ingress of moisture.</b></p>	
W563	

If the supply cord is damaged, it must be replaced by the manufacturer, its special agent or similarly qualified persons in order to avoid a hazard.

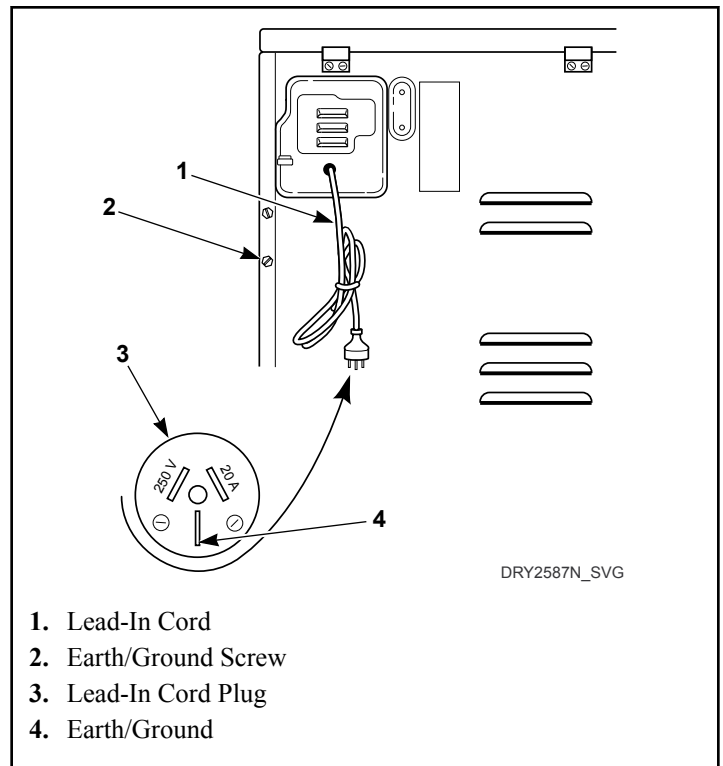



Figure 16

**Gas Dryer**

**NOTE: The wiring diagram is located in the control cabinet.**

	<h2>WARNING</h2>
<p><b>To reduce the risk of fire, electric shock or personal injury, all wiring and earthing to the dryer MUST conform with the latest edition of the Australian Electrical Standards, AS3000, SAA wiring rules, and such local regulations that might apply.</b></p>	
W478	

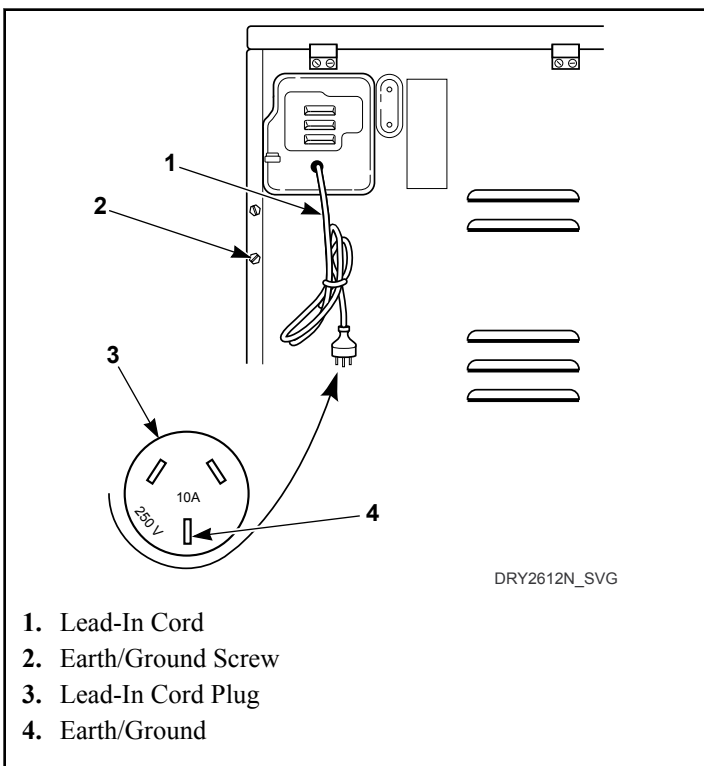
This dryer is designed to be operated on a two-wire, plus earth/ground, 240 Volt, 50 Hertz, single-phase circuit, fused at 10 Amperes.

Insert the dryer's lead-in cord plug into an earthing three-slot-plus earth/ground, wall receptacle on a separate circuit. Do not operate other appliances on the same circuit.

	<b>CAUTION</b>
<p>If this appliance is supplied from a cord extension set or an electrical portable outlet device, the cord extension set or electrical portable outlet device must be positioned so that it is not subject to splashing or ingress of moisture.</p>	
W563	

**IMPORTANT: Remove all objects from pockets such as lighters and matches.**

If the supply cord is damaged, it must be replaced by the manufacturer, its special agent or similarly qualified persons in order to avoid a hazard.



1. Lead-In Cord
2. Earth/Ground Screw
3. Lead-In Cord Plug
4. Earth/Ground

Figure 17

**Earth/Ground Instructions**

This appliance must be properly connected to protective earth/ground. In the event of malfunction or breakdown, the earth/ground will reduce the risk of electric shock by providing a path of least resistance for electric current.

The dryer is equipped with a cord having an equipment-earth/ground conductor and a 3 prong earth/ground plug. The plug must be plugged into an appropriate outlet that is properly installed and connected to a protective earth/ground in accordance with all local codes and ordinances.

Do not modify the plug provided with the dryer – if it will not fit the outlet, have a proper outlet installed by a qualified electrician.

	<b>WARNING</b>
<p>Improper connection of the equipment earth/ground conductor can result in a risk of electric shock. Check with a qualified electrician or service person if you are in doubt as to whether the dryer is properly connected to a protective earth/ground.</p>	
W886	

If the electrical supply does not meet the above specifications and/or you are not sure your building has an effective earth/ground, have a qualified electrician or your local electrical utility company check it and correct any problems.

**Recheck Steps**

Refer to Installer Checklist on the back cover of this manual and make sure that dryer is installed correctly.

**Check Heat Source**

**Electric Dryers**

1. Close the loading door and start the dryer in a heat setting (refer to the operation instructions).
2. After the dryer has operated for three minutes, the exhaust air or exhaust pipe should be warm.

**Gas Dryers**

**IMPORTANT: This operation is to be conducted by qualified personnel only.**


1. To view the burner flame, remove the lower front panel of the dryer.
2. Close the loading door and start the dryer in a heat setting (refer to the operation instructions). The dryer will start, the igniter will glow red and the main burner will ignite.

**IMPORTANT: If all air is not purged out of gas line, gas igniter may go off before gas is ignited. If this happens, after approximately two minutes igniter will again attempt gas ignition.**

**IMPORTANT: If igniter does not light, make sure gas is turned on.**

3. After the dryer has operated for approximately five minutes, observe burner flame through lower front panel.
4. Adjust the air shutter to obtain a soft, uniform blue flame. (A lazy, yellow-tipped flame indicates lack of air. A harsh, roaring, very blue flame indicates too much air.) Adjust the air shutter as follows:
  - a. Loosen the air shutter lockscrew.

- b. Turn the air shutter to the left to get a luminous yellow-tipped flame, then turn it back slowly to the right to obtain a steady, soft blue flame.
  - c. After the air shutter is adjusted for proper flame, tighten the air shutter lockscrew securely.
5. Reinstall the lower front panel.

	<b>WARNING</b>
<b>To reduce the risk of serious injury or death, lower front panel must be in place during normal operation.</b>	
W158	

6. After the dryer has operated for approximately three minutes, exhaust air or exhaust pipe should be warm.

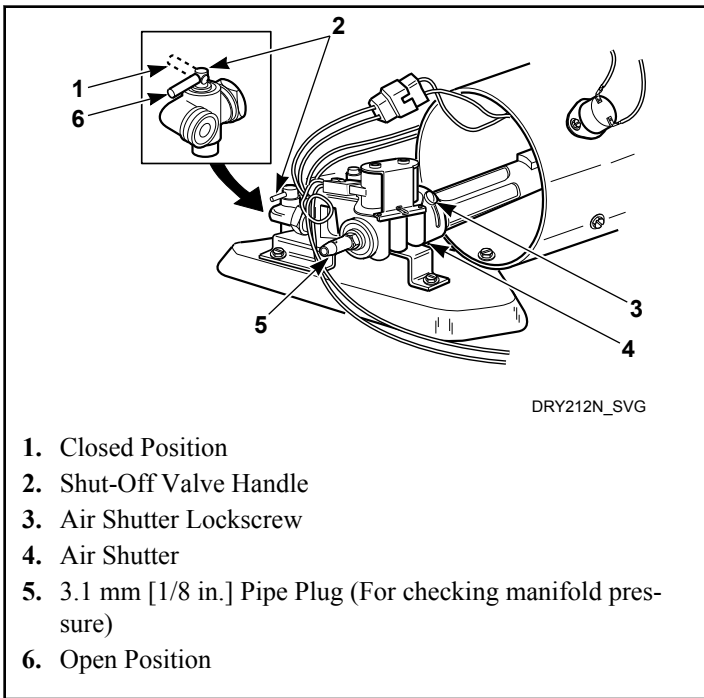



Figure 18

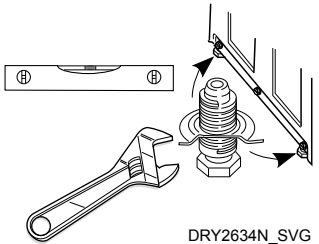
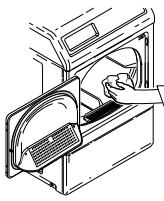
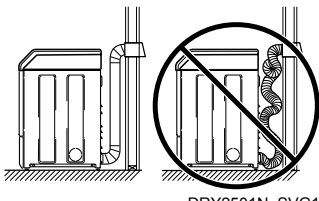
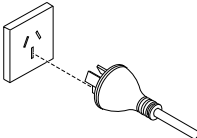
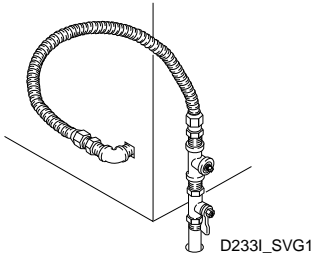
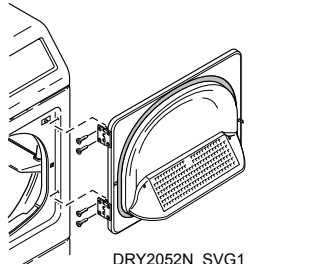
**All Dryers**

If the dryer heat source is not functioning correctly, refer to the Troubleshooting section of the Dryer User’s Guide for corrective action.

	<b>WARNING</b>
<b>Any disassembly requiring the use of tools must be performed by a suitably qualified service person.</b>	
W299	

# Installer Checklist

## Fast Track for Installing the Dryer

1	Position and Level the Dryer.	 <p>DRY2634N_SVG</p>	5	Wipe Out Inside of Dryer.	 <p>DRY2504N_SVG1</p>
	CHECK			CHECK	
2	Connect Dryer Exhaust System.	 <p>DRY2501N_SVG1</p>	6	Plug In the Dryer.	 <p>TLW2170N_SVG</p>
	CHECK			CHECK	
3	<p><b>GAS ONLY</b></p> <ul style="list-style-type: none"> <li>• Connect Gas Supply Pipe.</li> <li>• Check for Gas Leaks.</li> </ul> <p><b>NOTE: Must be connected by a licensed professional.</b></p>	 <p>D233I_SVG1</p>	7	<p>Recheck Steps.</p> <p><b>NOTE: Refer to User's Guide for proper operation.</b></p>	
	CHECK			CHECK	
4	Reverse Door, if Desired.	 <p>DRY2052N_SVG1</p>	8	<p>Start and Run Dryer in Heat Setting to Verify Dryer is Heating.</p> <p><b>NOTE: Refer to Installation manual for corrective action, if necessary.</b></p>	
	CHECK			CHECK	

Refer to the manual for more detailed information